

Hermetic Compressor Product Guide



a **BEIJER REF** company

Danfoss

embraco
Nidec

Maneurop[®]
Reciprocating Compressors

cubigel[®]
compressors

 *Tecumseh*



Contents

Embraco Reciprocating Compressors



..... 4 - 11

Tecumseh Reciprocating Compressors



Tecumseh

..... 12 - 17

Danfoss Reciprocating Compressors



..... 18 - 22

Cubigel Reciprocating Compressors



..... 24 - 29

Maneurop Reciprocating Compressors



..... 30 - 33

Trade Counter Map



..... 36

embraco



Embraco Reciprocating Compressors

Embraco has been making compressors for domestic and commercial refrigeration systems since 1971 and now produces over 40 million compressors a year produced by 9,000 workers in factories stretching from Brazil (headquarters) to China. Supplying compressors to more than 80 countries it holds over 1,700 patents to ensure it leads the world in compressor efficiencies and development. The company employs over 600 engineers/technicians and has development partnerships in place with 120 university partners which keeps the company abreast of the latest innovations. The business constantly searches for high efficiency solutions and it leads in this area.

The compressors range is specifically developed for the domestic and commercial market covering a range of 1/8hp to 1.1/2hp.

embraco

PART NUMBER	COMPRESSOR MODEL NUMBER	APPLICATION	NOMINAL HP	DISPLACEMENT	POWER SUPPLY	LRA	COOLING TYPE	EXPANSION DEVICE	OIL TYPE	OIL CHARGE cc	CONNECTION TYPE	DISCHARGE SIZE	SUCTION SIZE	WEIGHT (KG)	HEIGHT (MM)	CAPACITY HBP -5c	CAPACITY HBP -25c
R134A																	
207359	EMT50HDP	HBP	5/32	4.5 cm ³	220-240V 50Hz 1	9.1 A	F	C	POE 22	180 cm ³	CT	4,9 mm	6,1mm	7.7	166	303	
209012	EMT45HDR	MBP	1/8	3.97 cm ³	220-240V 50Hz 1	5.4 A	F	C/TEV	POE 22	180 cm ³	CT	4,9 mm	6,1mm	7.7	166	229	
209014	EMT6144Z	MBP	1/5	5.2 cm ³	220-240V 50Hz 1	8.5 A	F	C/TEV	POE 22	180 cm ³	CT	4,9 mm	6,1mm	7.8	166	367	
207508	EMT6160Z	MBP	1/4	6.76 cm ³	220-240V 50Hz 1	9.8 A	F	C/TEV	POE 22	180 cm ³	CT	4,9 mm	6,1mm	7.8	166	469	
209016	EMT6170Z	MBP	1/4	7.69 cm ³	220-240V 50Hz 1	10.4 A	F	C/TEV	POE 22	180 cm ³	CT	4,9 mm	6,1mm	7.8	166	522	
NEK6160Z	NEK6160Z	MBP	1/4	7.26 cm ³	220-240V 50Hz 1	11.5 A	F	C/TEV	POE 22	350 cm ³	CT	6,1 mm	8,2mm	10.4	187	448	
208894	NEK6170Z	MBP	1/4	8.4 cm ³	220-240V 50Hz 1	12.4 A	F	C/TEV	POE 22	350 cm ³	CT	6,1 mm	8,2mm	10.4	187	527	
208896	NEK6187Z	MBP	1/3	10 cm ³	220-240V 50Hz 1	16.1 A	F	C/TEV	POE 22	350 cm ³	CT	6,1 mm	8,2mm	11	200	600	
208898	NEK6210Z	MBP	1/3	12.12 cm ³	220-240V 50Hz 1	19.5 A	F	C/TEV	POE 22	350 cm ³	CT	6,1 mm	8,2mm	11.6	206	637	
208900	NEK6212Z	MBP	1/2	14.3 cm ³	220-240V 50Hz 1	19.5 A	F	C/TEV	POE 22	350 cm ³	CT	6,1 mm	8,2mm	11.6	206	830	
207516	NEK6214Z	MBP	1/2	16.8 cm ³	220-240V 50Hz 1	25.5 A	F	C/TEV	POE 22	350 cm ³	CT	6,1 mm	8,2mm	11.6	206	945	
208906	NT6215Z	MBP	1/2	17.4 cm ³	220-240V 50Hz / 230V 60Hz 1	20.7 A	F	C/TEV	POE 22	450 cm ³	CT	6,45 mm	9,6mm	17	220	998	
208908	NT6217Z	MBP	3/4	20.4 cm ³	220-240V 50Hz 1	25 A	F	C/TEV	POE 22	450 cm ³	CT	6,45 mm	9,6mm	17	220	1173	
208910	NT6220Z	MBP	3/4	22.4 cm ³	220-240V 50Hz / 230V 60Hz 1	29.5 A	F	C/TEV	POE 22	450 cm ³	CT	6,45 mm	9,6mm	17.2	220	1280	
207705	NJ6220Z	MBP	3/4	26.1 cm ³	220-240V 50Hz 1	35 A	F	C/TEV	POE 22	750 cm ³	RCT	8 mm	thread 1" -14UN S-2A	20.5	265	1419	
207706	NJ6220Z	MBP	3/4	26.1 cm ³	220-240V 50Hz 1	35 A	F	C/TEV	POE 22	750 cm ³	CT	8 mm	9,6mm	20.5	265	1419	
208902	NJ6220ZX	MBP	3/4	26.1 cm ³	380-420V 50Hz / 440-480V 60 Hz 3 ph	10 A	F	C/TEV	POE 22	750 cm ³	RCT	8 mm	thread 1" -14UN S-2A	19.6	265	1673	
207713	NJ6226Z	MBP	1/1	34.4 cm ³	220-240V 50Hz 1	31 A	F	C/TEV	POE 22	750 cm ³	RCT	8 mm	thread 1" -14UN S-2A	19.8	253	1892	
208904	NJ6226ZX	MBP	1/1	34.4 cm ³	380-420V 50Hz / 440-480V 60 Hz 3 ph	13 A	F	C/TEV	POE 22	750 cm ³	RCT	8 mm	thread 1" -14UN S-2A	20.2	265	2398	
208915	NEK1116Z	LBP	1/5	7.4 cm ³	220-240V 50Hz 1	14 A	F	C/TEV	POE 22	350 cm ³	CT	6,1 mm	8,2mm	10.8	200		172
209262	NEK1118Z	LBP	1/4	8.4 cm ³	220-240V 50Hz 1	16 A	F	C/TEV	POE 22	350 cm ³	CT	6,1 mm	8,2mm	10.7	200		195
208916	NEK2116Z	LBP	1/5	7.4 cm ³	220-240V 50Hz 1	10 A	F	C/TEV	POE 22	350 cm ³	CT	6,1 mm	8,2mm	10.4	187		169
208918	NE2121Z	LBP	1/4	9.27 cm ³	220-240V 50Hz 1	12.6 A	F	C/TEV	POE 22	350 cm ³	CT	6,1 mm	8,2mm	10.9	200		217
208920	NE2130Z	LBP	1/3	12.12 cm ³	220-240V 50Hz 1	17 A	F	C/TEV	POE 22	350 cm ³	CT	6,1 mm	8,2mm	11.6	200		268
208922	NEK2140Z	LBP	1/2	16.8 cm ³	220-240V 50Hz 1	17 A	F	C/TEV	POE 22	350 cm ³	CT	6,1 mm	8,2mm	11.6	206		372
R290																	
208872	EMT6144U	MBP	1/5	4.5 cm ³	220-240V 50Hz 1	7.7 A	F	C/TEV	POE 22	180 cm ³	CT	4,9 mm	6,1mm	7.8	166	413	
208966	EMT6152U	MBP	1/4	5.2 cm ³	220-240V 50Hz 1	8.5 A	F	C/TEV	POE 22	180 cm ³	CT	4,9 mm	6,1mm	7.8	166	500	
208968	EMT6165U	MBP	1/4	5.96 cm ³	220-240V 50Hz 1	10.4 A	F	C/TEV	POE 22	180 cm ³	CT	4,9 mm	6,1mm	7.8	166	571	
208882	NEK6181U	MBP	1/3	7.26 cm ³	220-240V 50Hz 1	12 A	F	C/TEV	POE 22	350 cm ³	CT	6,1 mm	8,2mm	10.4	187	637	
208970	NEK6210U	MBP	1/3	8.78 cm ³	220-240V 50Hz 1	16.1 A	F	C/TEV	POE 22	350 cm ³	CT	6,1 mm	8,2mm	11	200	776	
208874	NEK6213U	MBP	1/2	12.12 cm ³	220-240V 50Hz 1	A	F	C/TEV	POE 22	350 cm ³	CT	6,1 mm	8,2mm	10.4	187	1132	
209285	NEK6217U	MBP	3/4	14.3 cm ³	220-240V 50Hz 1	24 A	F	C/TEV	POE 22	350 cm ³	CT	6,1 mm	8,2mm	11.6	206	1233	

PART NUMBER	COMPRESSOR MODEL NUMBER	APPLICATION	NOMINAL HP	DISPLACEMENT	POWER SUPPLY	LRA	COOLING TYPE	EXPANSION DEVICE	OIL TYPE	OIL CHARGE cc	CONNECTION TYPE	DISCHARGE SIZE	SUCTION SIZE	WEIGHT (KG)	HEIGHT (MM)	CAPACITY HBP -5c	CAPACITY HBP -25c	
208972	NT6217U	MBP	3/4	16.8 cm3	220-240V 50Hz 1	A	F	C/TEV	POE 22	450 cm3	CT	6,45 mm	9,6mm	17	220	1210		
208974	NT6220U	MBP	3/4	17.4 cm3	220-240V 50Hz 1	30 A	F	C/TEV	POE 22	450 cm3	CT	6,45 mm	9,6mm	17	220	1472		
208976	NT6222U	MBP	3/4	20.4 cm3	220-240V 50Hz 1	30 A	F	C/TEV	POE 22	450 cm3	CT	6,45 mm	9,6mm	17	220	1695		
D823963	NT6224U	MBP	1	22.4 cm3	220-240V 50Hz 1	26 A	F	C/TEV	POE 22	450 cm3	CT	6,45 mm	9,6 mm	17.2	220	1920		
208853	EMT2117U	LBP	1/5	4.5 cm3	220-240V 50Hz 1	7.7 A	F	C/TEV	POE 22	180 cm3	CT	4,9 mm	6,1mm	7.8	166		184	
208978	EMT2121U	LBP	1/4	5.57 cm3	220-240V 50Hz 1	7.7 A	F	C/TEV	POE 22	180 cm3	CT	4,9 mm	6,1mm	7.8	166		238	
208980	EMT2125U	LBP	1/3	5.96 cm3	220-240V 50Hz 1	9.8 A	F	C/TEV	POE 22	180 cm3	CT	4,9 mm	6,1mm	7.8	166		265	
208984	NEK2134U	LBP	1/2	10 cm3	220-240V 50Hz 1	13.1 A	F	C/TEV	POE 22	350 cm3	CT	6,1 mm	8,2mm	11	200		395	
208857	NEK2150U	LBP	1/2	13.54 cm3	220-240V 50Hz 1	19.5 A	F	C/TEV	POE 22	350 cm3	CT	6,1 mm	8,2mm	11.6	206		515	
208986	NT2160U	LBP	3/4	17.4 cm3	220-240V 50Hz 1	A	F	C/TEV	POE 22	450 cm3	CT	6,45 mm	9,6mm	18	220		626	
208988	NT2170U	LBP	3/4	20.4 cm3	220-240V 50Hz 1	25 A	F	C/TEV	POE 22	450 cm3	CT	6,45 mm	9,6mm	18	220		740	
208876	NT2180U	LBP	1	22.4 cm3	220-240V 50Hz 1	35 A	F	C/TEV	POE 22	450 cm3	CT	6,45 mm	9,6mm	18.2	234		835	
208990	NT2210U	LBP	1.1/4	27.8 cm3	220-240V 50Hz 1	33 A	F	C/TEV	POE 22	450 cm3	CT	6,45 mm	9,6mm	18.5	234		1041	
209001	EM2X1121U	LBP	1/3	5.54 cm3	220-240V 50Hz 1	10 A	S	C	ES-TER ISO10	150 cm3	CT	4,9 mm	6,1 mm	8.19	CALL		254	
209003	EM2X1125U	LBP	1/3	6.09 cm3	220-240V 50Hz 1	CALL	S	C	ES-TER ISO10	150 cm3	CT	6,1 mm	6,1 mm	8.03	CALL		290	
209005	EMTE2134U	LBP	1/2	9.5 cm3	220-240V 50Hz 1	14.9 A	F	C/V	POE 22	210 cm3	CT	6,1 mm	8,2 mm	8.6	171		405	
209007	NEU2155U	LBP	3/4	13.54 cm3	220-240V 50Hz 1	17.5 A	F	C/V	POE 22	350 cm3	CT	6,1 mm	8,2 mm	11.1	200		565	
R404A																		
NJ9226GK-S	NJ9226GK	HBP	1	21.7 cm3	230V 50Hz 1	27.5 A	F	C/TEV	POE 22	750 cm3	RCT	8 mm	thread 1" -14UN S-2A	20.7	265	2176		
208820	NJ9226GK	HBP	1	21.7 cm3	230V 50Hz 1	27.5 A	F	C/TEV	POE 22	750 cm3	RCT	8 mm	thread 1" -14UN S-2A	20.7	265	2176		
208938	NJ9226GS	HBP	1	21.7 cm3	380-420V 50Hz / 440-480V 60 Hz 3 ph	10 A	F	C/TEV	POE 22	750 cm3	CT	8 mm	9,6mm	19	265	2086		
NJ9232GK	NJ9232GK	HBP	1.1/2	26.1 cm3	220-240V 50Hz 1	43 A	F	C/TEV	POE 22	750 cm3	CT	8 mm	12,8mm	21.6	277	2669		
208830	NJ9232GK	HBP	1.1/2	26.1 cm3	220-240V 50Hz 1	43 A	F	C/TEV	POE 22	750 cm3	RCT	8 mm	thread 1" -14UN S-2A	21.6	277	2669		
208840	NJ9232GS	HBP	1.1/2	26.1 cm3	380-420V 50Hz / 440-480V 60 Hz 3 ph	13 A	F	C/TEV	POE 22	750 cm3	RCT	8 mm	thread 1" -14UN S-2A	20.4	277	2476		
NJ9238GK	NJ9238GK	HBP	1.1/2	32.7 cm3	230V 50Hz 1	43 A	F	C/TEV	POE 22	750 cm3	CT	8 mm	12,8mm	22.1	277	2970		
208845	NJ9238GK	HBP	1.1/2	32.7 cm3	230V 50Hz 1	43 A	F	C/TEV	POE 22	750 cm3	RCT	8 mm	thread 1" -14UN S-2A	22.1	277	3133		
208752	NJ9238GS	HBP	1.1/2	32.7 cm3	380-420V 50Hz / 440-480V 60 Hz 3 ph	22 A	F	C/TEV	POE 22	750 cm3	CT	8 mm	12,8mm	21.7	277	3091		
208850	NJ9238GS	HBP	1.1/2	32.7 cm3	380-420V 50Hz / 440-480V 60 Hz 3 ph	22 A	F	C/TEV	POE 22	750 cm3	RCT	8 mm	thread 1" -14UN S-2A	21.7	277	3365		
208924	EMT6144GK	MBP	1/4	3.97 cm3	220-240V 50Hz 1	7.7 A	F	C/TEV	POE 22	180 cm3	CT	4,9 mm	6,1 mm	7.8	166	458		
208926	EMT6152GK	MBP	1/4	4.5 cm3	220-240V 50Hz 1	8.5 A	F	C/TEV	POE 22	180 cm3	CT	4,9 mm	6,1 mm	7.8	166	511		
208928	EMT6165GK	MBP	1/3	5.2 cm3	220-240V 50Hz 1	10.4 A	F	C/TEV	POE 22	180 cm3	CT	4,9 mm	6,1 mm	7.8	166	586		
208930	NEK6181GK	MBP	1/3	7.28 cm3	220-240V 50Hz 1	12 A	F	C/TEV	POE 22	350 cm3	CT	6,1 mm	8,2 mm	10.4	187	730		
208895	NEU6210GK	MBP	1/3	7.28 cm3	220-240V 50Hz 1	16 A	F	C/TEV	POE 22	350 cm3	CT	6,1 mm	8,2 mm	10	206	791		
208934	NEK6213GK	MBP	1/2	12.12 cm3	220-240V 50Hz 1	19.3 A	F	C/TEV	POE 22	350 cm3	CT	6,1 mm	8,2 mm	11.6	206	1171		

PART NUMBER	COMPRESSOR MODEL NUMBER	APPLICATION	NOMINAL HP	DISPLACEMENT	POWER SUPPLY	LRA	COOLING TYPE	EXPANSION DEVICE	OIL TYPE	OIL CHARGE cc	CONNECTION TYPE	DISCHARGE SIZE	SUCTION SIZE	WEIGHT (KG)	HEIGHT (MM)	CAPACITY HBP -5c	CAPACITY HBP -25c
208932	NEK6210GK	MBP	1/2	8.78 cm3	220-240V 50Hz 1	16.1 A	F	C/TEV	POE 22	350 cm3	CT	6,1 mm	8,2 mm	11	200	877	
208936	NEK6217GK	MBP	3/4	14.3 cm3	220-240V 50Hz 1	21.5 A	F	C/TEV	POE 22	350 cm3	CT	6,1 mm	8,2 mm	11.6	206	1411	
NT6217GK	NT6217GK	MBP	3/4	12.55 cm3	220-240V 50Hz / 230V 60Hz 1	25 A	F	C/TEV	POE 22	450 cm3	CT	6,45 mm	9,6 mm	17	220	1198	
208940	NT6220GK	MBP	3/4	14.5 cm3	220-240V 50Hz / 230V 60Hz 1	29.5 A	F	C/TEV	POE 22	450 cm3	CT	6,45 mm	9,6 mm	17	220	1342	
208942	NT6222GK	MBP	3/4	17.4 cm3	220-240V 50Hz 1	37 A	F	C/TEV	POE 22	450 cm3	CT	6,45 mm	9,6 mm	17	220	1631	
208944	NT6224GK	MBP	1/1	20.4 cm3	220-240V 50Hz 1	29 A	F	C/TEV	POE 22	450 cm3	CT	6,45 mm	9,6 mm	17.2	220	1933	
208880	NT6226GK	MBP	1/1	22.4 cm3	220-240V 50Hz 1	38 A	F	C/TEV	POE 22	450 cm3	CT	6,45 mm	9,6 mm	17.5	234	2143	
208946	EMT2117GK	LBP	1/4	4.5 cm3	220-240V 50Hz 1	7.7 A	F	C/TEV	POE 22	180 cm3	CT	4,9 mm	6,1mm	7.8	166		210
208948	EMT2121GK	LBP	1/3	5.2 cm3	220-240V 50Hz 1	8.5 A	F	C/TEV	POE 22	180 cm3	CT	4,9 mm	6,1mm	7.8	166		258
208950	EMT2125GK	LBP	1/3	5.96 cm3	220-240V 50Hz 1	9.8 A	F	C/TEV	POE 22	180 cm3	CT	4,9 mm	6,1mm	7.8	166		301
208952	NEK2134GK	LBP	1/2	8.78 cm3	220-240V 50Hz 1	16.1 A	F	C/TEV	POE 22	350 cm3	CT	6,1 mm	8,2mm	11	200		394
208954	NEK2150GK	LBP	3/4	12.12 cm3	220-240V 50Hz 1	19.5 A	F	C/TEV	POE 22	350 cm3	CT	6,1 mm	8,2mm	11.6	206		522
208956	NEK2168GK	LBP	3/4	14.3 cm3	220-240V 50Hz 1	24 A	F	C/TEV	POE 22	350 cm3	CT	6,1 mm	8,2mm	11.6	206		587
NEK2172GK	NEK2172GK	LBP	3/4	16.8 cm3	220V 50Hz 1	26 A	F	C/TEV	POE 22	350 cm3	CT	6,1 mm	8,2mm	11.8	206		711
208958	NT2168GK	LBP	3/4	14.5 cm3	220-240V 50Hz / 230V 60Hz 1	25 A	F	C/TEV	POE 22	450 cm3	CT	6,45 mm	9,6mm	17	220		549
NT2178GK	NT2178GK	LBP	3/4	17.4 cm3	220-240V 50Hz 1	25 A	F	C/TEV	POE 22	450 cm3	CT	6,45 mm	9,6mm	17	220		659
97787	NEU2178GK	LBP	1	16.8 cm3	220-240V 50Hz 1	21 A	F	C/TEV	POE 22	350 cm3	CT	6,1 mm	8,2mm	11.6	206		753
208962	NT2180GK	LBP	1	20.4 cm3	220-240V 50Hz 1	35 A	F	C/TEV	POE 22	450 cm3	CT	6,45mm	9,6mm	17.4	234		778
208964	NT2192GK	LBP	1	22.4 cm3	220-240V 50Hz 1	35 A	F	C/TEV	POE 22	450 cm3	CT	6,45mm	9,6mm	17.5	234		865
205870	NJ2192GK	LBP	1.1/4	26.1 cm3	220-240V 50Hz 1	26 A	F	C/TEV	POE 22	750 cm3	CT	8 mm	9,6mm	20.7	265		827
207268	NJ2192GK	LBP	1.1/4	26.1 cm3	220-240V 50Hz 1	26 A	F	C/TEV	POE 22	750 cm3	RCT	8 mm	thread 1" -14UN S-2A	20.7	265		827
NJ2192GS-S	NJ2192GS	LBP	1.1/4	26.1 cm3	380-420V 50Hz / 440-480V 60 Hz 3 ph	15 A	F	C/TEV	POE 22	750 cm3	RCT	8 mm	thread 1" -14UN S-2A	19.7	265		968
207264	NT2212GK	LBP	1.1/2	27.8 cm3	220-240V 50Hz 1	33 A	F	C/TEV	POE 22	650 cm3	CT	6,45 mm	9,6 mm	18.3	250		1125
NJ2212GK	NJ2212GK	LBP	1.1/2	34.4 cm3	220-240V 50Hz 1	36 A	F	C/TEV	POE 22	750 cm3	CT	8 mm	12,8 mm	20.7	265		1109
NJ2212GS	NJ2212GS	LBP	1.1/2	34.4 cm3	380-420V 50Hz / 440-480V 60 Hz 3 ph	13 A	F	C/TEV	POE 22	750 cm3	RCT	8 mm	thread 1" -14UN S-2A	20.4	277		1228
R600																	
209009	EMT45CDP	HBP	1/8	6.78 cm3	220-240V 50Hz 1	5.8 A	SC	C	ALQ-UILB / ISO5	180 cm3	CT	4,94 mm	6,1 mm	7.7	166	195	
209000	NEK6160Y	HBP	1/4	12.12 cm3	220-240V 50Hz 1	12.4 A	-	C/V	ES-TER / ISO22	350 cm3	CT	6,1 mm	8,1 mm	10.6	187	338	
208996	EMT6144Y	MBP	1/5	9.05 cm3	220-240V 50Hz 1	A	F	C/TEV	POE 22	180 cm3	CT	4,9 mm	6,1 mm	7.8	166	350	
209002	NEK6170Y	MBP	1/4	14.3 cm3	220-240V 50Hz 1	A	F	C/TEV	POE 22	350 cm3	CT	6,1 mm	8,2 mm	10.6	187	512	
208992	EMT30CDP	L/MBP	1/12	4.5 cm3	220-240V 50Hz 1	3.7 A	SC	C	POE 22	180 cm3	CT	4,9 mm	6,1 mm	7.2	170	140	
208851	EMX55CLC	LBP	5/32	9.05 cm3	220-240V 50Hz 1	A	F	C	POE 22	180 cm3	CT	4,9 mm	6,1 mm	7.4	166		136
209006	EMX70CLC	LBP	1/5	11.15 cm3	220-240V 50Hz 1	A	F	C	POE 22	180 cm3	CT	4,9 mm	6,1 mm	7.7	166		164
209010	EMX20CLC	LBP	1/14	3.97 cm3	220-240V 50Hz 1	2 A	SC	C	ALQ-UILB / ISO5	150 cm3	CT	5,1 mm	6,1 mm	7.8	170	464	
209011	EMX26CLC	LBP	-	5.19 cm3	220-240V 50Hz 1	2.4 A	SC	C	ALQ-UILB / ISO5	180 cm3	CT	4,94 mm	6,1 mm	7.51	CALL		CALL

PART NUMBER	COMPRESSOR MODEL NUMBER	APPLICATION	NOMINAL HP	DISPLACEMENT	POWER SUPPLY	LRA	COOLING TYPE	EXPANSION DEVICE	OIL TYPE	OIL CHARGE cc	CONNECTION TYPE	DISCHARGE SIZE	SUCTION SIZE	WEIGHT (KG)	HEIGHT (MM)	CAPACITY HBP -5c	CAPACITY HBP -25c
208955	EMX32CLC	LBP	1/10	5.96 cm ³	220-240V 50Hz 1	-	SC	C	ALQ-UILB / ISO5	180 cm ³	CT	4,9 mm	6,1 mm	7.5	156		86
208989	EMC40CLT	LBP	1/8	7.23 cm ³	220-240V 50Hz 1	3.43 A	SC	C	ALQ UILB / ISO5	150 cm ³	CT	4,9 mm	6,1 mm	7.7	171		118
208911	EMC46CLT	LBP	1/7	7.96 cm ³	220-240V 50Hz 1	4.15 A	SC	C	ALQ UILB / ISO5	150 cm ³	CT	4,9mm	6,1 mm	7.6	166		129

Expansion Device:

C = Capillary
 TEV = Expansion Device
 C/TEV = Capillary or Expansion Device

Connection Types:

CT = All Copper Tubes
 RCT = Rotolock Suction Valve, Rest Copper Tubes
 R = Rotolock/Valve Only

Cooling Type

F = Fan
 SC = Suction Cooled
 ST = Static Cooling

Compressor Models



EMT

NEK / NEU / NE

NEK / NEU

NJ

NT

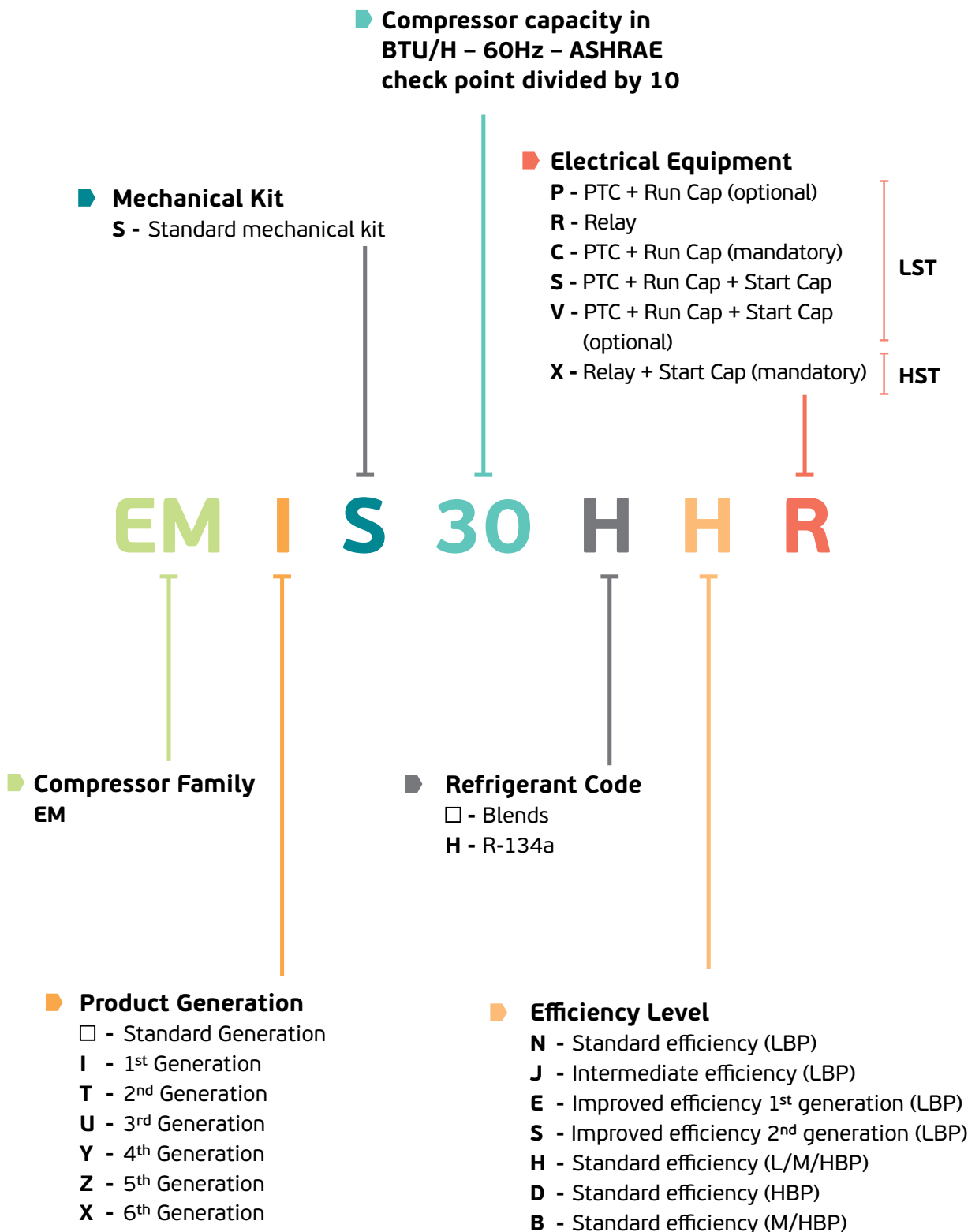


If you can't find the exact model you need please contact your local branch. Details on reverse.

Compressor Model Nomenclature

NOMENCLATURE

EM



Identification Labels and Approvals

IDENTIFICATION LABEL



- 1 - Compressor model
- 2 - Supply voltage
- 3 - Bill of materials code
- 4 - Serial number
- 5 - Agency approval marks
- 6 - Date code or production date
- 7 - Oil type and quantity
- 8 - Refrigerant type
- 9 - Current consumption (Rated Load Amperage, when applicable)
- 10 - Locked Rotor Amperage (when applicable)

embraco



Tecumseh



Tecumseh Reciprocating Compressors

Innovative, durable and highly efficient products are at the heart of Tecumseh. Their products touch the lives of millions every day, driving the company as a leading global manufacturer of hermetic compressors and condensing units for residential, commercial refrigeration and air conditioning applications.



Tecumseh Compressors



PART NUMBER	COMPRESSOR MODEL NUMBER	APPLICATION	NOMINAL HP	DISPLACEMENT	POWER SUPPLY	LRA	COOLING TYPE	EXPANSION DEVICE	OIL TYPE	CONNECTION TYPE	OIL CHARGE cc	DISCHARGE SIZE	SUCTION SIZE	WEIGHT (KG)	HEIGHT (MM)	CAPACITY HBP -5c	CAPACITY LBP -25c
R-134a																	
THB4415YFZ	THB4415Y	HBP	1/8	4	220-240V ~ 50Hz	7	ST	C/TEV	POE	CT	250	4.76 (3/16")	6.35 (1/4")	7.7	169	243	
THB4419YFZ	THB4419Y	HBP	1/6	5	220-240V ~ 50Hz	8.5	ST	C/TEV	POE	CT	250	4.76 (3/16")	6.35 (1/4")	7.8	172	284	
AE4425Y	AE4425Y	HBP	1/5	6.69	220-240V ~ 50Hz	9.4	F	C/TEV	POE	CT	280	4.76 (3/16")	6.35 (1/4")	9.2	199	397	
AE4430Y	AE4430Y	HBP	1/4	8.02	220-240V ~ 50Hz	12.5	F	C/TEV	POE	CT	280	4.76 (3/16")	6.35 (1/4")	9.7	199	510	
AE4440Y	AE4440Y	HBP	1/3	10.33	220-240V ~ 50Hz	13.2	F	C/TEV	POE	CT	280	6.35 (1/4")	7.9 (5/16")	9.8	199	666	
AE4450Y	AE4450Y	HBP	1/2	13.24	220-240V ~ 50Hz	17	F	C/TEV	POE	CT	280	6.35 (1/4")	9.5 (3/8")	11.7	210	881	
AE4456Y	AE4456Y	HBP	1/2	14.51	220-240V ~ 50Hz	17	F	C/TEV	POE	CT	280	6.35 (1/4")	9.5 (3/8")	11.5	210	962	
AE4460Y	AE4460Y	HBP	1/2	15.09	220-240V ~ 50Hz	20.7	F	C/TEV	POE	CT	380	6.35 (1/4")	9.5 (3/8")	12.2	210	1001	
CAJ4452Y2	CAJ4452Y	HBP	1/2	15.2	220-240V ~ 50Hz	19.4	F	C/TEV	POE	R	475	6.35 (1/4")	12.7 (1/2")	18.5	268	835	
CAJ4461Y2	CAJ4461Y	HBP	1/2	18.3	220-240V ~ 50Hz	19.4	F	C/TEV	POE	R	475	6.35 (1/4")	12.7 (1/2")	18.8	268	1021	
CAJ4461Y2T	CAJ4461Y	HBP	1/2	18.3	220-240V ~ 50Hz	19.4	F	C/TEV	POE	CT	475	6.35 (1/4")	12.7 (1/2")	18.6	268	1021	
CAJ4476Y2	CAJ4476Y	HBP	3/4	21.75	220-240V ~ 50Hz	22.4	F	C/TEV	POE	R	475	6.35 (1/4")	12.7 (1/2")	18.8	280	1215	
CAJ4492Y2	CAJ4492Y	HBP	3/4	25.95	220-240V ~ 50Hz	28	F	C/TEV	POE	R	475	7.9 (5/16")	12.7 (1/2")	20.2	280	1517	
CAJ4492Y2T	CAJ4492Y	HBP	3/4	25.95	220-240V ~ 50Hz	28	F	C/TEV	POE	CT	475	7.9 (5/16")	12.7 (1/2")	20	280	1517	
CAJ4511Y2	CAJ4511Y	HBP	1	32.7	220-240V ~ 50Hz	29.5	F	C/TEV	POE	R	475	7.9 (5/16")	15.9 (5/8")	21	280	1999	
CAJ4511Y2T	CAJ4511Y	HBP	1	32.7	220-240V ~ 50Hz	29.5	F	C/TEV	POE	CT	475	7.9 (5/16")	15.9 (5/8")	21	280	1999	
FH4518Y	FH4518Y	HBP	1 1/2	53.2	220-240V ~ 50Hz	46	F	C/TEV	POE	R	1330	12.7 (1/2")	15.9 (5/8")	32.7	330	2799	
FH4525Y	FH4525Y	HBP	2	74.25	220-240V ~ 50Hz	55	F	C/TEV	POE	R	1330	12.7 (1/2")	15.9 (5/8")	34.4	354	4155	
TAJ4452Y2	TAJ4452Y	HBP	1/2	15.2	400V 3~ 50Hz	9.8	F	C/TEV	POE	R	475	6.35 (1/4")	12.7 (1/2")	18.5	268	897	
TAJ4461Y2	TAJ4461Y	HBP	1/2	18.3	400V 3~ 50Hz	9.8	F	C/TEV	POE	CT	475	6.35 (1/4")	12.7 (1/2")	17.3	268	1067	
TAJ4492Y2	TAJ4492Y	HBP	3/4	25.95	400V 3~ 50Hz	12.8	F	C/TEV	POE	R	475	7.9 (5/16")	12.7 (1/2")	19.2	280	1533	
TAJ4511Y2	TAJ4511Y	HBP	1	32.7	400V 3~ 50Hz	17.3	F	C/TEV	POE	R	475	7.9 (5/16")	15.9 (5/8")	19.7	280	1980	
TAJ4511Y2T	TAJ4511Y	HBP	1	32.7	400V 3~ 50Hz	17.3	F	C/TEV	POE	CT	475	7.9 (5/16")	15.9 (5/8")	19.4	280	1980	
TFH4518Y	TFH4518Y	HBP	1 1/2	53.2	400V 3~ 50Hz	25	F	C/TEV	POE	R	1330	12.7 (1/2")	15.9 (5/8")	30.7	330	2818	
TFH4525Y	TFH4525Y	HBP	2	74.25	400V 3~ 50Hz	25	F	C/TEV	POE	R	1330	12.7 (1/2")	15.9 (5/8")	31.0	354	4000	
TAG4528Y	TAG4528Y	HBP	2	90.2	400V 3~ 50Hz	42.5	F	C/TEV	POE	R	1760	15.9 (5/8")	22.2 (7/8")	43.0	368	3971	
CX2668	TAG4534Y	HBP	3	100.7	400V 3~ 50Hz	42.5	F	C/TEV	POE	R	1760	15.9 (5/8")	22.2 (7/8")	43.7	368	5027	
TAG4537Y	TAG4537Y	HBP	3	112.5	400V 3~ 50Hz	42.5	F	C/TEV	POE	R	1760	15.9 (5/8")	22.2 (7/8")	43.3	368	5737	
TAG4543Y	TAG4543Y	HBP	3 1/2	124.4	400V 3~ 50Hz	42.5	F	C/TEV	POE	R	1760	15.9 (5/8")	22.2 (7/8")	43.8	368	6003	
THG1335 YKS	THG1335YS	LBP	1/10	3.58	220-240V ~ 50Hz	#N/A	ST	C	POE	CT	240	4.76 (3/16")	6.35 (1/4")	7.4	177		72
THG1340 YKS	THG1340Y	LBP	1/8	4.23	220-240V ~ 50Hz	#N/A	ST	C	POE	CT	240	4.76 (3/16")	6.35 (1/4")	7.5	178		83
THG1352 YKS	THG1352Y	LBP	1/6	5.6	220-240V ~ 50Hz	#N/A	ST	C	POE	CT	240	4.76 (3/16")	6.35 (1/4")	7.5	178		113
THG1365YS	THG1365YS	LBP	1/5	5.9	220-240V ~ 50Hz	10.5	ST	C	POE	CT	240	4.76 (3/16")	6.35 (1/4")	7.7	178		135
AE1390Y	AE1390Y	LBP	1/5	8.02	220-240V ~ 50Hz	15	F	C	POE	CT	280	4.76 (3/16")	6.35 (1/4")	9.7	200		173
AE2410Y2	AE2410Y	LBP	1/4	9.39	220-240V ~ 50Hz	9	F	C/TEV	POE	CT	280	4.76 (3/16")	6.35 (1/4")	9.9	200		196
AE2413Y	AE2413Y	LBP	1/4	12.01	220-240V ~ 50Hz	12	F	C/TEV	POE	CT	280	4.76 (3/16")	6.35 (1/4")	10.9	210		246
AE2415Y	AE2415Y	LBP	1/3	12.48	220-240V ~ 50Hz	15	F	C/TEV	POE	CT	280	4.76 (3/16")	6.35 (1/4")	11.6	210		285
R-22/R-407C																	
RK5512W	RK5512W	AC	1	16.3	220-240V ~ 50Hz	23	F	C	PVE	CT	414	7.9 (5/16")	12.7 (1/2")	12.6	call	1857	
RK5513W	RK5513W	AC	1	18.1	220-240V ~ 50Hz	24	F	C	PVE	CT	414	7.9 (5/16")	12.7 (1/2")	12.1	call	2069	
RK5515W	RK5515W	AC	1 1/4	21.4	220-240V ~ 50Hz	28	F	C	PVE	CT	414	7.9 (5/16")	15.9 (5/8")	11.7	call	2521	
RK5518W	RK5518W	AC	1 1/2	24.4	220-240V ~ 50Hz	32	F	C	PVE	CT	414	7.9 (5/16")	15.9 (5/8")	14.0	call	2893	

PART NUMBER	COMPRESSOR MODEL NUMBER	APPLICATION	NOMINAL HP	DISPLACEMENT	POWER SUPPLY	LRA	COOLING TYPE	EXPANSION DEVICE	OIL TYPE	CONNECTION TYPE	OIL CHARGE cc	DISCHARGE SIZE	SUCTION SIZE	WEIGHT (KG)	HEIGHT (MM)	CAPACITY HBP -5c	CAPACITY LBP -25c
R-404A																	
AE4425Z	AE4425Z	HBP	1/5	4.24	220-240V ~ 50Hz	10.6	F	C/TEV	POE	CT	280	4.76 (3/16")	6.35 (1/4")	9.9	200	434	
AE4430Z	AE4430Z	HBP	1/4	5.16	220-240V ~ 50Hz	11.4	F	C/TEV	POE	CT	280	4.76 (3/16")	6.35 (1/4")	10.2	200	533	
AE4440Z	AE4440Z	HBP	1/3	6.69	220-240V ~ 50Hz	15.5	F	C/TEV	POE	CT	280	6.35 (1/4")	9.5 (3/8")	10.5	210	720	
AE4450Z	AE4450Z	HBP	3/7	8.85	220-240V ~ 50Hz	18	F	C/TEV	POE	CT	280	4.76 (3/16")	6.35 (1/4")	10.8	210	944	
AE4460Z	AE4460Z	HBP	1/2	10.33	220-240V ~ 50Hz	19.4	F	C/TEV	POE	CT	280	6.35 (1/4")	9.5 (3/8")	11.6	210	1131	
AE4470Z	AE4470Z	HBP	1/2	12.01	220-240V ~ 50Hz	19.3	F	C/TEV	POE	CT	380	6.35 (1/4")	9.5 (3/8")	12.2	210	1333	
HGA4467Z	HGA4467Z	HBP	1/2	9.52	220-240V ~ 50Hz	16.5	F	C/TEV	POE	CT	1330	7.9 (5/16")	9.5 (3/8")	12.5	266	1173	
HGA4512Z	HGA4512Z	HBP	1	16.12	220-240V ~ 50Hz	18.6	F	C/TEV	POE	CT	1330	7.9 (5/16")	12.7 (1/2")	13.3	282	1991	
CAJ4517Z	CAJ4517Z	HBP	1 1/2	25.95	220-240V ~ 50Hz	38.5	F	C/TEV	POE	R	475	9.5 (3/8")	15.9 (5/8")	22.1	280	2720	
CAJ4517Z2T	CAJ4517Z	HBP	1 1/2	25.95	220-240V ~ 50Hz	38.5	F	C/TEV	POE	CT	475	9.5 (3/8")	15.9 (5/8")	21.9	280	2720	
CAJ4519Z	CAJ4519Z	HBP	1 1/2	34.45	220-240V ~ 50Hz	45	F	C/TEV	POE	R	475	9.5 (3/8")	15.9 (5/8")	22.2	280	3562	
CAJ4519Z2T	CAJ4519Z	HBP	1 1/2	34.45	220-240V ~ 50Hz	45	F	C/TEV	POE	CT	475	9.5 (3/8")	15.9 (5/8")	21.8	280	3562	
TAJ4517Z	TAJ4517Z	HBP	1 1/2	25.95	400V 3~ 50Hz	18	F	C/TEV	POE	R	475	9.5 (3/8")	15.9 (5/8")	19.9	280	2735	
TAJ4519Z	TAJ4519Z	HBP	1 1/2	34.45	400V 3~ 50Hz	23	F	C/TEV	POE	R	475	9.5 (3/8")	15.9 (5/8")	21	280	3492	
CX2770	TFH4531Z	HBP	2 1/2	56.65	400V 3~ 50Hz	32	F	C/TEV	POE	R	1760	12.7 (1/2")	22.2 (7/8")	31.6	370	5320	
FH4522Z	FH4522Z	HBP	2	39.95	220-240V ~ 50Hz	46.5	F	C/TEV	POE	R	1330	12.7 (1/2")	15.9 (5/8")	32.5	354	3627	
FH4524Z	FH4524Z	HBP	2	43.5	220-240V ~ 50Hz	49	F	C/TEV	POE	R	1330	12.7 (1/2")	15.9 (5/8")	34.6	354	4127	
FH4531Z	FH4531Z	HBP	2 1/2	56.65	220-240V ~ 50Hz	66	F	C/TEV	POE	R	1330	12.7 (1/2")	22.2 (7/8")	36.4	370	5457	
FH4540Z	FH4540Z	HBP	3 1/2	74.25	220-240V ~ 50Hz	89	F	C/TEV	POE	R	1330	12.7 (1/2")	22.2 (7/8")	36.8	370	6731	
TFH4522Z	TFH4522Z	HBP	2	39.95	400V 3~ 50Hz	25	F	C/TEV	POE	R	1330	12.7 (1/2")	15.9 (5/8")	30.5	354	3603	
TFH4524Z	TFH4524Z	HBP	2	43.5	400V 3~ 50Hz	25	F	C/TEV	POE	R	1330	12.7 (1/2")	15.9 (5/8")	30.3	354	4146	
TFH4540Z	TFH4540Z	HBP	3 1/2	74.25	400V 3~ 50Hz	46	F	C/TEV	POE	R	1330	12.7 (1/2")	22.2 (7/8")	32.7	370	6861	
TAG4546Z	TAG4546Z	HBP	4	90.2	400V 3~ 50Hz	42.5	F	C/TEV	POE	R	1760	15.9 (5/8")	22.2 (7/8")	43.1	368	7591	
TAG4553Z	TAG4553Z	HBP	4 1/2	100.7	400V 3~ 50Hz	45	F	C/TEV	POE	R	1760	15.9 (5/8")	22.2 (7/8")	45.4	381	8594	
TAG4561Z	TAG4561Z	HBP	5	112.5	400V 3~ 50Hz	51.5	F	C/TEV	POE	R	1760	15.9 (5/8")	28.6 (1 1/8")	45.6	381	9681	
TAG4568Z	TAG4568Z	HBP	5 1/2	124.4	400V 3~ 50Hz	58	F	C/TEV	POE	R	1760	15.9 (5/8")	28.6 (1 1/8")	47	393	11407	
TAG4573Z	TAG4573Z	HBP	6	135	400V 3~ 50Hz	61	F	C/TEV	POE	R	1760	15.9 (5/8")	28.6 (1 1/8")	48.5	393	12267	
CAJ9480Z	CAJ9480Z	M/HBP	1	15.2	220-240V ~ 50Hz	24.1	F	C/TEV	POE	R	475	7.9 (5/16")	12.7 (1/2")	20	268	1529	
CAJ9480Z2T	CAJ9480Z	M/HBP	1	15.2	220-240V ~ 50Hz	24.1	F	C/TEV	POE	CT	475	7.9 (5/16")	12.7 (1/2")	19.7	268	1529	
CAJ9510Z	CAJ9510Z	M/HBP	1 1/4	18.3	220-240V ~ 50Hz	29.5	F	C/TEV	POE	R	475	7.9 (5/16")	15.9 (5/8")	21.5	280	1912	
CAJ9510Z2T	CAJ9510Z	M/HBP	1 1/4	18.3	220-240V ~ 50Hz	29.5	F	C/TEV	POE	CT	475	7.9 (5/16")	15.9 (5/8")	21.5	280	1912	
CAJ9513Z	CAJ9513Z	M/HBP	1 3/4	24.2	220-240V ~ 50Hz	33.1	F	C/TEV	POE	R	475	7.9 (5/16")	15.9 (5/8")	21.4	280	2441	
CAJ9513Z2T	CAJ9513Z	M/HBP	1 3/4	24.2	220-240V ~ 50Hz	33.5	F	C/TEV	POE	CT	475	7.9 (5/16")	15.9 (5/8")	21.1	280	2441	
TAJ9480Z	TAJ9480Z	M/HBP	1	15.2	400V 3~ 50Hz	13	F	C/TEV	POE	R	475	7.9 (5/16")	12.7 (1/2")	19.3	268	1560	
TAJ9510Z	TAJ9510Z	M/HBP	1 1/4	18.3	400V 3~ 50Hz	14.5	F	C/TEV	POE	R	475	7.9 (5/16")	15.9 (5/8")	19.5	280	1915	
TAJ9513Z	TAJ9513Z	M/HBP	1 3/4	24.2	400V 3~ 50Hz	14.5	F	C/TEV	POE	R	475	7.9 (5/16")	15.9 (5/8")	20.5	280	2347	
AE2415Z	AE2415Z	LBP	1/3	7.33	220-240V ~ 50Hz	13.7	F	C/TEV	POE	CT	280	4.76 (3/16")	6.35 (1/4")	10.9	210		265
AE2420Z	AE2420Z	LBP	1/2	9.35	220-240V ~ 50Hz	16.4	F	C/TEV	POE	CT	380	6.35 (1/4")	9.5 (3/8")	11.5	210		339
AE2425Z	AE2425	LBP	1/2	12.01	220-240V ~ 50Hz	18.4	F	C/TEV	POE	CT	380	6.35 (1/4")	9.5 (3/8")	11.7	210		449
CAJ2428Z	CAJ2428Z	LBP	3/4	15.2	220-240V ~ 50Hz	22	F	C/TEV	POE	R	475	6.35 (1/4")	12.7 (1/2")	19.6	268		474
CAJ2428Z2T	CAJ2428Z	LBP	3/4	15.2	220-240V ~ 50Hz	22	F	C/TEV	POE	CT	475	6.35 (1/4")	12.7 (1/2")	19.3	268		474
CAJ2432Z	CAJ2432Z	LBP	3/4	18.3	220-240V ~ 50Hz	20.8	F	C/TEV	POE	R	475	7.9 (5/16")	12.7 (1/2")	19.8	268		605
CAJ2432Z2T	CAJ2432Z	LBP	3/4	18.3	220-240V ~ 50Hz	20.8	F	C/TEV	POE	CT	475	7.9 (5/16")	12.7 (1/2")	19.8	268		605
TAJ2428Z	TAJ2428Z	LBP	3/4	15.2	400V 3~ 50Hz	9.8	F	C/TEV	POE	R	475	6.35 (1/4")	12.7 (1/2")	18.7	268		473
FH2511Z	FH2511Z	LBP	1	74.25	220-240V ~ 50Hz	83	F	C/TEV	POE	R	1330	12.7 (1/2")	15.9 (5/8")	37.2	370		2360
TAJ2446Z	TAJ2446Z	LBP	1 1/4	26.15	400V 3~ 50Hz	13.2	F	C/TEV	POE	R	475	7.9 (5/16")	12.7 (1/2")	21.3	280		884
TAJ2464Z	TAJ2464Z	LBP	1 1/2	34.45	400V 3~ 50Hz	16.3	F	C/TEV	POE	R	475	9.5 (3/8")	15.9 (5/8")	21.4	280		1189
CAJ2446Z	CAJ2446Z	LBP	1 1/4	26.15	220-240V ~ 50Hz	29.5	F	C/TEV	POE	R	475	7.9 (5/16")	12.7 (1/2")	21.7	280		925
CAJ2446Z2T	CAJ2446Z	LBP	1 1/4	26.15	220-240V ~ 50Hz	29.5	F	C/TEV	POE	CT	475	7.9 (5/16")	12.7 (1/2")	21.5	280		925

PART NUMBER	COMPRESSOR MODEL NUMBER	APPLICATION	NOMINAL HP	DISPLACEMENT	POWER SUPPLY	LRA	COOLING TYPE	EXPANSION DEVICE	OIL TYPE	CONNECTION TYPE	OIL CHARGE cc	DISCHARGE SIZE	SUCTION SIZE	WEIGHT (KG)	HEIGHT (MM)	CAPACITY HBP -5c	CAPACITY LBP -25c
CAJ2464Z2	CAJ2464Z	LBP	1 1/2	34.45	220-240V ~ 50Hz	40	F	C/TEV	POE	R	475	9.5 (3/8")	15.9 (5/8")	22.1	280		1199
CAJ2464Z2T	CAJ2464Z	LBP	1 1/2	34.45	220-240V ~ 50Hz	40	F	C/TEV	POE	CT	475	9.5 (3/8")	15.9 (5/8")	21.8	280		1199
CX2689	TFH2480Z	LBP	2	53.2	400V 3~ 50Hz	25	F	C/TEV	POE	R	1760	12.7 (1/2")	15.9 (5/8")	32.5	354		1716
FH2480Z	FH2480Z	LBP	2	53.2	220-240V ~ 50Hz	68	F	C/TEV	POE	R	1330	12.7 (1/2")	15.9 (5/8")	37.2	354		1760
TFH2511Z	TFH2511Z	LBP	3	74.25	400V 3~ 50Hz	32	F	C/TEV	POE	R	1330	12.7 (1/2")	15.9 (5/8")	32.8	370		2327
TAG2516Z	TAG2516Z	LBP	4	112.5	400V 3~ 50Hz	42.5	F	C/TEV	POE	R	1760	15.9 (5/8")	22.2 (7/8")	43.0	368		3166
TAG2522Z	TAG2522Z	LBP	5 1/2	135	400V 3~ 50Hz	63	F	C/TEV	POE	R	1760	15.9 (5/8")	28.6 (1"1/8)	46.4	393		4150
R-407C																	
RK5480C	RK5480C	AC	3/4	11.4	220-240V ~ 50Hz	15	F	C	PVE	CT	414	7.9 (5/16")	12.7 (1/2")	11.8	RO-TARY	1311	
RK5490C	RK5490C	AC	3/4	12.9	220-240V ~ 50Hz	19	F	C	PVE	CT	414	7.9 (5/16")	12.7 (1/2")	11.8	RO-TARY	1383	
AJ5510C2	AJ5510C	AC	1	18.6	220-240V ~ 50Hz	23.5	F	C	POE	CT	475	6.35 (1/4")	9.5 (3/8")	17.8	call	1073	
AJ5512C2	AJ5512C	AC	1	21.75	220-240V ~ 50Hz	27.8	F	C	POE	CT	475	6.35 (1/4")	9.5 (3/8")	18.2	call	1633	
AJ5513C2	AJ5513C	AC	1	24.2	220-240V ~ 50Hz	32	F	C	POE	CT	475	6.35 (1/4")	9.5 (3/8")	19.8	call	1879	
AJ5515C2	AJ5515C	AC	1 1/4	25.95	220-240V ~ 50Hz	36	F	C	POE	CT	475	7.9 (5/16")	12.7 (1/2")	19.9	call	2254	
AJ5518C2	AJ5518C	AC	1 1/2	32.7	220-240V ~ 50Hz	49.7	F	C	POE	CT	475	7.9 (5/16")	12.7 (1/2")	20.6	call	3010	
AJ5519C2	AJ5519C	AC	1 1/2	34.45	220-240V ~ 50Hz	49.7	F	C	POE	CT	475	7.9 (5/16")	12.7 (1/2")	20.5	call	3111	
TAJ5515C2	TAJ5515C	AC	1 1/4	25.95	400V 3~ 50Hz	18	F	C/TEV	POE	CT	475	7.9 (5/16")	12.7 (1/2")	19.6	call	2254	
TAJ5519C2	TAJ5519C	AC	1 1/2	34.45	400V 3~ 50Hz	22.5	F	C/TEV	POE	CT	475	7.9 (5/16")	12.7 (1/2")	19.6	call	3111	
FH5522C	FH5522C	AC	1 3/4	39.95	220-240V ~ 50Hz	40.6	F	C	POE	CT	1330	9.5 (3/8")	15.9 (5/8")	30.4	call	3069	
FH5524C	FH5524C	AC	2	43.5	220-240V ~ 50Hz	54	F	C	POE	CT	1330	9.5 (3/8")	15.9 (5/8")	30.7	call	3253	
FH5527C	FH5527C	AC	2	49.1	220-240V ~ 50Hz	64	F	C	POE	CT	1330	9.5 (3/8")	15.9 (5/8")	30.2	call	3771	
FH5531C	FH5531C	AC	2 1/2	56.65	220-240V ~ 50Hz	74	F	C	POE	CT	1330	9.5 (3/8")	19 (3/4")	32.5	call	4420	
FH5540C	FH5540C	AC	3 1/2	74.25	220-240V ~ 50Hz	93	F	C	POE	CT	1330	9.5 (3/8")	19 (3/4")	34.7	call	5858	
TFH5522C	TFH5522C	AC	1 3/4	39.95	400V 3~ 50Hz	25	F	C/TEV	POE	CT	1330	9.5 (3/8")	15.9 (5/8")	29.6	call	3069	
TFH5524C	TFH5524C	AC	2	43.5	400V 3~ 50Hz	25.1	F	C/TEV	POE	CT	1330	9.5 (3/8")	15.9 (5/8")	29.8	call	3253	
TFH5527C	TFH5527C	AC	2	49.1	400V 3~ 50Hz	25	F	C/TEV	POE	CT	1330	9.5 (3/8")	15.9 (5/8")	29.8	call	3771	
TFH5531C	TFH5531C	AC	2 1/2	56.65	400V 3~ 50Hz	30.5	F	C/TEV	POE	CT	1330	9.5 (3/8")	19 (3/4")	31.5	call	4420	
TFH5540C	TFH5540C	AC	3 1/2	74.25	400V 3~ 50Hz	39	F	C/TEV	POE	CT	1330	9.5 (3/8")	19 (3/4")	30.2	call	5858	

Expansion Device:
C = Capillary
TEV = Expansion Device
C/TEV = Capillary or Expansion Device

Connection Types:
CT = All Copper Tubes
RCT = Rotolock Suction Valve, Rest Copper Tubes
R = Rotolock/Valve Only

Cooling Type
F = Fan
SC = Suction Cooled
ST = Static Cooling

Compressor Models



AE



AG / TAG



AJ / CAJ / TAJ



FH / TFH



HGA



RK

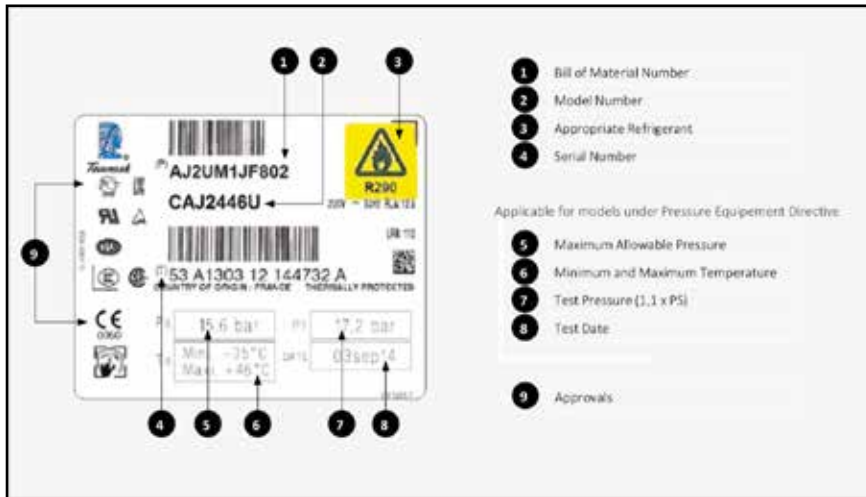


THB / THG



If you can't find the exact model you need please contact your local branch. Details on reverse.

Compressor Model Nomenclature



C	AJ	4	4	92	Y	FZ																																						
Stator Definition	Compressor Family (First Two Digits)	Application	Digit Number	Cooling Capacity	Refrigerant	Voltage																																						
C	No letter single-phase low starting torque	C	single-phase high starting torque		T	three-phase																																						
AJ	PRODUCT RANGE																																											
4	<table border="1"> <thead> <tr> <th colspan="4">Primary Application Parameters</th> </tr> <tr> <th>Evap. Temperature</th> <th colspan="2">Rating Point</th> <th>Motor Starting Torque</th> </tr> </thead> <tbody> <tr> <td>1. Low</td> <td>-23,3°C T evap. / +54,5°C T cond. / +32°C RG / +32°C Liquid</td> <td></td> <td>Normal</td> </tr> <tr> <td>2. Low</td> <td>-23,3°C T evap. / +54,5°C T cond. / +32°C RG / +32°C Liquid</td> <td></td> <td>High</td> </tr> <tr> <td>3. High</td> <td>+7,2°C T evap. / +54,5°C T cond. / +35°C RG / +35°C Liquid</td> <td></td> <td>Normal</td> </tr> <tr> <td>4. High</td> <td>+7,2°C T evap. / +54,5°C T cond. / +35°C RG / +35°C Liquid</td> <td></td> <td>High</td> </tr> <tr> <td>5. Air Cond</td> <td>+7,2°C T evap. / +54,5°C T cond. / +35°C RG / +35°C Liquid</td> <td></td> <td>Normal</td> </tr> <tr> <td>9. Commercial - AJ²</td> <td>+7,2°C T evap. / +54,5°C T cond. / +35°C RG / +35°C Liquid</td> <td></td> <td>High</td> </tr> <tr> <td>9. Commercial - VSC</td> <td>-6,7°C T evap. / +48,9°C T cond. / +4,4°C RG / +48,9°C Liquid</td> <td></td> <td>High</td> </tr> </tbody> </table>						Primary Application Parameters				Evap. Temperature	Rating Point		Motor Starting Torque	1. Low	-23,3°C T evap. / +54,5°C T cond. / +32°C RG / +32°C Liquid		Normal	2. Low	-23,3°C T evap. / +54,5°C T cond. / +32°C RG / +32°C Liquid		High	3. High	+7,2°C T evap. / +54,5°C T cond. / +35°C RG / +35°C Liquid		Normal	4. High	+7,2°C T evap. / +54,5°C T cond. / +35°C RG / +35°C Liquid		High	5. Air Cond	+7,2°C T evap. / +54,5°C T cond. / +35°C RG / +35°C Liquid		Normal	9. Commercial - AJ ²	+7,2°C T evap. / +54,5°C T cond. / +35°C RG / +35°C Liquid		High	9. Commercial - VSC	-6,7°C T evap. / +48,9°C T cond. / +4,4°C RG / +48,9°C Liquid		High		
Primary Application Parameters																																												
Evap. Temperature	Rating Point		Motor Starting Torque																																									
1. Low	-23,3°C T evap. / +54,5°C T cond. / +32°C RG / +32°C Liquid		Normal																																									
2. Low	-23,3°C T evap. / +54,5°C T cond. / +32°C RG / +32°C Liquid		High																																									
3. High	+7,2°C T evap. / +54,5°C T cond. / +35°C RG / +35°C Liquid		Normal																																									
4. High	+7,2°C T evap. / +54,5°C T cond. / +35°C RG / +35°C Liquid		High																																									
5. Air Cond	+7,2°C T evap. / +54,5°C T cond. / +35°C RG / +35°C Liquid		Normal																																									
9. Commercial - AJ ²	+7,2°C T evap. / +54,5°C T cond. / +35°C RG / +35°C Liquid		High																																									
9. Commercial - VSC	-6,7°C T evap. / +48,9°C T cond. / +4,4°C RG / +48,9°C Liquid		High																																									
4	Number of digits composing the cooling capacity																																											
92	Corresponding to the two first figures of the cooling capacity expressed in BTU/h. In this example total digits 4, with cooling capacity 92 means 9200 BTU/h at 60 Hz																																											
Y	<table border="1"> <thead> <tr> <th colspan="2">Primary Refrigerants</th> </tr> </thead> <tbody> <tr> <td>A</td> <td>R12</td> </tr> <tr> <td>C</td> <td>R407C</td> </tr> <tr> <td>E/T</td> <td>R22</td> </tr> <tr> <td>H</td> <td>R1234yf</td> </tr> <tr> <td>N</td> <td>R134a/R1234yf</td> </tr> <tr> <td>U</td> <td>R290</td> </tr> <tr> <td>Y</td> <td>R134a</td> </tr> <tr> <td>Z</td> <td>R404A/R507/R452A/R449A*</td> </tr> </tbody> </table> <p>*for multi refrigerant models VSC and SH, Z letter includes R134a refrigerant</p>						Primary Refrigerants		A	R12	C	R407C	E/T	R22	H	R1234yf	N	R134a/R1234yf	U	R290	Y	R134a	Z	R404A/R507/R452A/R449A*																				
Primary Refrigerants																																												
A	R12																																											
C	R407C																																											
E/T	R22																																											
H	R1234yf																																											
N	R134a/R1234yf																																											
U	R290																																											
Y	R134a																																											
Z	R404A/R507/R452A/R449A*																																											
FZ	<table border="1"> <thead> <tr> <th colspan="2">Approved Voltage</th> </tr> </thead> <tbody> <tr> <td>AA</td> <td>115V 1~ 60Hz</td> </tr> <tr> <td>CZ</td> <td>208V 1~ 50 Hz / 230V 1~ 60 Hz</td> </tr> <tr> <td>ES</td> <td>220V 1~ 60 Hz</td> </tr> <tr> <td>FS</td> <td>220V 1~ 50 Hz</td> </tr> <tr> <td>FZ</td> <td>220 - 240V 1~ 50 Hz</td> </tr> <tr> <td>GS</td> <td>220V 1~ 50Hz / 220V 1~ 60 Hz</td> </tr> <tr> <td>GZ</td> <td>208 - 220V 1~ 50 Hz</td> </tr> <tr> <td>HZ</td> <td>208 - 220V 1~ 60 Hz</td> </tr> <tr> <td>KZ</td> <td>220V 3~ 50Hz / 220V 3~ 60 Hz</td> </tr> <tr> <td>MZ</td> <td>380-420V 3~ 50Hz / 440-480V 3~ 60 Hz</td> </tr> <tr> <td>QZ</td> <td>200V 3~ 50Hz / 200V 3~ 60 Hz</td> </tr> <tr> <td>TZ</td> <td>400V 3~ 50Hz / 440V 3~ 60 Hz</td> </tr> <tr> <td>WZ</td> <td>208-230V 1~ 50Hz / 220-230V 1~ 60Hz</td> </tr> <tr> <td>XA</td> <td>100V 1~ 50Hz / 115V 1~ 60Hz</td> </tr> <tr> <td>XG</td> <td>380-420V 3~ 50Hz / 460V 3~ 60 Hz</td> </tr> <tr> <td>XU</td> <td>100V 1~ 50Hz / 100V 1~ 60Hz</td> </tr> <tr> <td>XZ</td> <td>115V-40Hz / 230V - 60Hz 3~</td> </tr> <tr> <td>YZ</td> <td>380-420V 3~ 50Hz / 440-480V 3~ 60Hz</td> </tr> </tbody> </table>						Approved Voltage		AA	115V 1~ 60Hz	CZ	208V 1~ 50 Hz / 230V 1~ 60 Hz	ES	220V 1~ 60 Hz	FS	220V 1~ 50 Hz	FZ	220 - 240V 1~ 50 Hz	GS	220V 1~ 50Hz / 220V 1~ 60 Hz	GZ	208 - 220V 1~ 50 Hz	HZ	208 - 220V 1~ 60 Hz	KZ	220V 3~ 50Hz / 220V 3~ 60 Hz	MZ	380-420V 3~ 50Hz / 440-480V 3~ 60 Hz	QZ	200V 3~ 50Hz / 200V 3~ 60 Hz	TZ	400V 3~ 50Hz / 440V 3~ 60 Hz	WZ	208-230V 1~ 50Hz / 220-230V 1~ 60Hz	XA	100V 1~ 50Hz / 115V 1~ 60Hz	XG	380-420V 3~ 50Hz / 460V 3~ 60 Hz	XU	100V 1~ 50Hz / 100V 1~ 60Hz	XZ	115V-40Hz / 230V - 60Hz 3~	YZ	380-420V 3~ 50Hz / 440-480V 3~ 60Hz
Approved Voltage																																												
AA	115V 1~ 60Hz																																											
CZ	208V 1~ 50 Hz / 230V 1~ 60 Hz																																											
ES	220V 1~ 60 Hz																																											
FS	220V 1~ 50 Hz																																											
FZ	220 - 240V 1~ 50 Hz																																											
GS	220V 1~ 50Hz / 220V 1~ 60 Hz																																											
GZ	208 - 220V 1~ 50 Hz																																											
HZ	208 - 220V 1~ 60 Hz																																											
KZ	220V 3~ 50Hz / 220V 3~ 60 Hz																																											
MZ	380-420V 3~ 50Hz / 440-480V 3~ 60 Hz																																											
QZ	200V 3~ 50Hz / 200V 3~ 60 Hz																																											
TZ	400V 3~ 50Hz / 440V 3~ 60 Hz																																											
WZ	208-230V 1~ 50Hz / 220-230V 1~ 60Hz																																											
XA	100V 1~ 50Hz / 115V 1~ 60Hz																																											
XG	380-420V 3~ 50Hz / 460V 3~ 60 Hz																																											
XU	100V 1~ 50Hz / 100V 1~ 60Hz																																											
XZ	115V-40Hz / 230V - 60Hz 3~																																											
YZ	380-420V 3~ 50Hz / 440-480V 3~ 60Hz																																											

NOTE: For explanation of compressor families and codes, please contact Tecumseh



Danfoss

ENGINEERING
TOMORROW



Danfoss Light Commercial Compressors (DL, FR, GS, NL, SC, TL)

Danfoss offers the broadest range of light commercial refrigeration compressors to the market and we have included all the most popular variants within this guide. Danfoss small and light commercial reciprocating compressors are suitable for low, medium and high temperatures using the following refrigerants:

P: R134a. N: R600a, R134a, R290, R404A/R507A.

T: R134a, R290, R404A/R507A

S: R134a, R290, R404A/R507A

F: R134a, R404A/R507A

G: R134a, R404A/R507A

Each part number is for a compressor kit which include all electrical and mounting accessories required for an installation or replacement.

Danfoss offers the broadest range of light commercial refrigeration compressors in the market, so if the compressor you require is not listed, please contact your local brand (page 3) who will be happy to provide price and availability.

Danfoss Compressors



PART NUMBER	COMPRESSOR MODEL NUMBER	APPLICATION	NOMINAL HP	DISPLACEMENT	POWER SUPPLY	LRA	COOLING TYPE	EXPANSION DEVICE	OIL TYPE	OIL CHARGE cc	CONNECTION TYPE	DISCHARGE SIZE mm	SUCTION SIZE mm	WEIGHT (KG)	HEIGHT (MM)	NOMINAL CAPACITY -5c	NOMINAL CAPACITY -25c
R134A																	
195B000600	TL3GX	H/L/MBP	1/10	3.13cm ³	230/50-60/1	4.8 A	ST	C/TEV	POE	280cm ³	CT	5	6.2	7.39	163	179	60
195B000800	TL4GX	H/L/MBP	1/10	3.86cm ³	230/50-60/1	5.1 A	ST	C/TEV	POE	280cm ³	CT	5	6.2	8.24	173	228	88
195B022200	TL5GK	H/L/MBP	1/4	5.08cm ³	230/50-60/1	5.4 A	ST	C	POE	280cm ³	CT	5	6.2	8.16	173	281	102
195B001100	TL5GX	H/L/MBP	1/4	5.08cm ³	230/50-60/1	5.7 A	ST	C/TEV	POE	280cm ³	CT	5	6.2	8.19	173	281	102
195B019200	FR7.5GK	H/L/MBP	1/4	6.93cm ³	230/50-60/1	8.1 A	F	C	POE	450cm ³	CT	6.2	8.2	11.21	196	407	137
195B002400	FR7.5GX	H/L/MBP	1/4	6.93cm ³	230/50-60/1	8.1 A	F	C/TEV	POE	450cm ³	CT	6.2	8.2	11.24	196	407	137
195B019300	FR8.5GK	H/L/MBP	1/4	7.95cm ³	230/50-60/1	8.4 A	F	C	POE	450cm ³	CT	6.2	8.2	11.07	196	485	171
195B002600	FR8.5GX	H/L/MBP	1/4	7.95cm ³	230/50-60/1	9.0 A	F	C/TEV	POE	450cm ³	CT	6.2	8.2	11.25	196	485	171
195B019400	FR10GK	H/L/MBP	1/4	9.05cm ³	230/50-60/1	10.5 A	F	C	POE	450cm ³	CT	6.2	8.2	11.21	196	518	182
195B002700	FR10GX	H/L/MBP	1/4	9.05cm ³	230/50-60/1	10.9 A	F	C/TEV	POE	450cm ³	CT	6.2	8.2	11.34	196	518	182
195B019500	FR11GK	H/L/MBP	1/4	11.15cm ³	230/50/1	10.5 A	F	C	POE	450cm ³	CT	6.2	8.2	11.13	196	-	226
195B002800	FR11GX	H/L/MBP	1/4	11.15cm ³	230/50/1	10.9 A	F	C/TEV	POE	450cm ³	CT	6.2	8.2	11.30	196	-	226
195B005000	SC12GX	H/L/MBP	1/2	12.87cm ³	230/50-60/1	12.5 A	F	C/TEV	POE	550cm ³	CT	6.2	8.2	13.32	209	780	252
195B005300	SC15GX	H/L/MBP	1/2	15.28cm ³	230/50-60/1	16.2 A	F	C/TEV	POE	550cm ³	CT	6.2	10.2	13.69	209	918	280
195B005900	SC18GX	H/L/MBP	1/2	17.69cm ³	230/50-60/1	20.4 A	F	C/TEV	POE	600cm ³	CT	6.2	10.2	14.30	219	1074	358
195B063600	SC21G 22	H/L/MBP	3/4	20.95cm ³	230/50-60/1	22.1 A	F	C/TEV	POE	600cm ³	CT	6.2	10.2	14.93	219	1308	453
195B037100	NL8.4MF	MBP	1/2	8.35cm ³	230/50-60/1	10.8 A	F	C	POE	320cm ³	CT	6.2	8.2	10.84	197	530	-
195B000500	TL3FK	M/LBP	1/10	3.13cm ³	230/50/1	2.8 A	ST	C	POE	180cm ³	CT	5	6.2	7.10	163	175	58
195B009100	NL7FK	LBP	1/4	7.27cm ³	230/50/1	5.9 A	ST	C	POE	320cm ³	CT	5	6.2	10.28	190	-	176
195B017600	NL7FX	LBP	1/4	7.27cm ³	230/50/1	5.9 A	ST	C/TEV	POE	320cm ³	CT	5	6.2	10.26	190	-	176
195B009200	NL9FK	LBP	1/4	8.35cm ³	230/50/1	6.6 A	ST	C	POE	320cm ³	CT	6.2	8.2	10.90	197	-	200
195B017800	NL9FX	LBP	1/4	8.35cm ³	230/50/1	7.9 A	ST	C/TEV	POE	320cm ³	CT	6.2	8.2	11.04	197	-	200
195B009300	NL11FK	LBP	1/4	11.15cm ³	230/50/1	9.2 A	F	C	POE	320cm ³	CT	6.2	8.2	11.43	203	-	257
195B000900	TL5FK	LBP	1/4	5.08cm ³	230/50/1	4.3 A	ST	C	POE	180cm ³	CT	5	6.2	8.05	173	-	111
195B024100	TL5FX	LBP	1/4	5.08cm ³	230/50/1	5.1 A	ST	C/TEV	POE	180cm ³	CT	5	6.2	8.18	173	-	111
195B022100	TL55FK	LBP	1/4	5.08cm ³	230/50/1	4.8 A	ST	C	POE	180cm ³	CT	5	6.2	8.09	173	-	126
195B023500	TL56FX	LBP	1/4	5.70cm ³	230/50/1	5.8 A	ST	C/TEV	POE	180cm ³	CT	5	6.2	8.10	173	-	139
195B001200	TL56TL	LBP	1/4	5.70cm ³	230/50/1	4.8 A	ST	C	POE	180cm ³	CT	5	6.2	8.00	173	-	139
195B022400	TL57FK	LBP	1/4	6.49cm ³	230/50/1	5.4 A	ST	C	POE	180cm ³	CT	5	6.2	8.07	173	-	160
R404A/R407C/R507																	
195B007500	SC10DLX	H/MBP	1/2	10.29cm ³	230/50/1	16.2 A	F	C/TEV	POE	600cm ³	CT	6.2	8.2	13.77	209	1071	-
195B007700	SC12DLX	H/MBP	3/4	12.87cm ³	230/50/1	20.4 A	F	C/TEV	POE	600cm ³	CT	6.2	10.2	14.41	219	1416	-
195B064100	SC15DLX	H/MBP	3/4	15.28cm ³	230/50/1	22.1 A	F	C/TEV	POE	600cm ³	CT	6.2	10.2	14.42	219	1652	-
R404A/R507																	
195B003200	FR6DLX	H/MBP	1/4	6.23cm ³	230/50/1	10.9 A	F	C/TEV	POE	450cm ³	CT	6.2	8.2	11.33	196	637	-
195B034500	SC10MLX	MBP	1/2	10.29cm ³	230/50-60/1	19.5 A	F	C/TEV	POE	600cm ³	CT	6.5	8.2	13.81	209	1079	-
195B032300	SC12MLX	MBP	3/4	12.87cm ³	230/50-60/1	23.6 A	F	C/TEV	POE	600cm ³	CT	6.5	8.2	14.79	219	1305	-
195B035800	SC15MLX	MBP	3/4	15.28cm ³	230/50-60/1	32.2 A	F	C/TEV	POE	600cm ³	CT	6.5	10.2	15.42	219	1742	-
195B065200	SC18MLX	MBP	1/1	17.69cm ³	230/50/1	23.6 A	F	C/TEV	POE	600cm ³	CT	6.2	10.2	14.70	219	2100	-
195B043800	GS34MLX	MBP	1.3/4	33.80cm ³	230/50/1	46.0 A	F	C/TEV	POE	900cm ³	CT	9.7	16.1	24.55	279	4103	-
195B014700	SC10CLX	M/LBP	1/2	10.29cm ³	115/60/1	39.7 A	F	C/TEV	POE	550cm ³	CT	6.5	8.2	13.75	209	1178	421
195B002100	TL4CLX	LBP	1/4	3.86cm ³	230/50/1	5.7 A	F	C/TEV	POE	280cm ³	CT	5	6.2	8.19	173	389	157
195B003100	FR6CLX	LBP	1/4	6.23cm ³	230/50/1	9.0 A	F	C/TEV	POE	450cm ³	CT	6.2	8.2	11.28	196	640	268
195B003800	FR8.5CLX	LBP	1/2	7.95cm ³	230/50/1	10.9 A	F	C/TEV	POE	450cm ³	CT	6.2	8.2	11.15	196	-	321
195B007400	SC10CLX	LBP	1/2	10.29cm ³	230/50/1	12.5 A	F	C/TEV	POE	550cm ³	CT	6.2	8.2	13.35	209	1081	397
195B007600	SC12CLX	LBP	1/2	12.87cm ³	230/50/1	16.2 A	F	C/TEV	POE	550cm ³	CT	6.2	8.2	13.79	209	1429	540
195B008800	SC15CL	LBP	3/4	15.28cm ³	230/50/1	20.4 A	F	C/TEV	POE	550cm ³	CT	6.2	10.2	14.40	219	1613	678
195B006600	SC18CL	LBP	3/4	17.69cm ³	230/50/1	20.4 A	F	C/TEV	POE	600cm ³	CT	6.2	10.2	15.10	219	1920	789
195B064000	SC21CL	LBP	1/1	20.95cm ³	230/50/1	23.6 A	F	C/TEV	POE	600cm ³	CT	6.2	10.2	15.00	219	-	897
195B010900	SC15/15CLX	LBP	1.1/4	30.56cm ³	230/50/1	40.8 A	F	C/TEV	POE	1,220cm ³	CT	6.2	12	30.56	259	3226	1357

PART NUMBER	COMPRESSOR MODEL NUMBER	APPLICATION	NOMINAL HP	DISPLACEMENT	POWER SUPPLY	LRA	COOLING TYPE	EXPANSION DEVICE	OIL TYPE	OIL CHARGE cc	CONNECTION TYPE	DISCHARGE SIZE mm	SUCTION SIZE mm	WEIGHT (KG)	HEIGHT (MM)	NOMINAL CAPACITY -5c	NOMINAL CAPACITY -25c
R290																	
195B045000	TL5CNX	M/LBP	1/4	5.08cm ³	230/50/1	5.7 A	F	C/TEV	POE	280cm ³	CT	5	6.2	8.21	173	448	197
195B064500	SC15CNX	M/LBP	1/2	15.28cm ³	230/50/1	16.2 A	F	C/TEV	POE	600cm ³	CT	6.2	10.2	14.36	209	1429	591
195B045900	SC21CNX	LBP	3/4	20.95cm ³	230/50/1	25.4 A	F	C/TEV	POE	600cm ³	CT	6.2	10.2	14.59	219	-	890

Expansion Device:

C = Capillary
 TEV = Expansion Device
 C/TEV = Capillary or Expansion Device

Connection Types:

CT = All Copper Tubes
 RCT = Rotolock Suction Valve, Rest Copper Tubes
 R = Rotolock/Valve Only

Cooling Type

F = Fan
 SC = Suction Cooled
 ST = Static Cooling

Compressor Models



FR R134a



FR R404A



GS R404A



NL R134a



SC Twin R404A



SC R134a CSR



SC R134a



SC R290 CSR



SC R290



SC R404A 115V



SC R404A CSR



SC R404A



TL R134a



TL R290



TL R404A

If you can't find the exact model you need please contact your local branch. Details on reverse.



Compressor Model Nomenclature

Key to Alternative Current-Compressor Type Designation

1 Compressor design	2 Protector location					3 Optimization level					4 Compressor size		5 Application range		6 Refrigerant	Code letter for starting characteristics	7 Generation																			
	Internal		External			Standard > High					Capacity at rating point	Displacement	Application range	Refrigerant																						
	PTC LST	Relay HST	PTC	Relay	Variable speed																															
P	L	T	F	LV	Blank	E ^{a)}	Always semi-direct intake	Y ^{a)} b)	X ^{a)}	U ^{a)}	20 30 35 50	2.5, 3, 4 4.5, 4.8, 5 5.7, 6, 6.5 7, 7.5, 8 8.7, 9, 10	C = LBP	R22	Blank > universal (principal rule)	Blank > first generation																				
													CL = LBP	R404A/R507																						
													CM = LBP	R22																						
													CN = LBP	R290																						
T	L	T	F	LV	Blank	E ^{b)}	Semi-direct or direct intake	Y ^{a)} b)	X ^{a)}	U ^{a)}	4, 4.8 5.7, 6.5 7.5, 8.7 9.4, 10	D = HBP	R22	Blank > universal (principal rule)	Blank > first generation																					
DL = HBP												R404A/R507 (R407C)																								
F = LBP/(MBP)												R134a																								
FT = LBP tropical												R134a																								
D	L	T	F	LV	Blank	E ^{b)}	Semi-direct or direct intake	Y ^{a)} b)	X ^{a)}	U ^{a)}	5.2, 5.5 5.7, 6, 6.1 7, 7.3, 8.0 8.4, 8.8, 9.10, 11 13, 15	G = LBP/MBP/HBP	R134a	Blank > universal (principal rule)	Blank > first generation																					
GH = Heat pumps												R134a																								
GHH = Heat pumps optimized												R134a																								
K = LBP/(MBP)												R600a																								
N	L	T	F	LV	Blank	E ^{b)}	Semi-direct or direct intake	Y ^{a)} b)	X ^{a)}	U ^{a)}	6 7.5 8.5 10 11	KT = LBP/(MBP) tropical	R600a	Blank > universal (principal rule)	Blank > first generation																					
MF = MBP												R134a																								
MK = MBP												R600a																								
ML = MBP												R404A/R507																								
F	R	T	F	LV	Blank	E ^{b)}	Semi-direct or direct intake	Y ^{a)} b)	X ^{a)}	U ^{a)}	10 12 15 18 21	MN = MBP	R290	Blank > universal (principal rule)	Blank > first generation																					
S	C											T	F			LV	Blank	E ^{b)}	Semi-direct or direct intake	Y ^{a)} b)	X ^{a)}	U ^{a)}	18 21 26 34	S = LBP/HBP (service)	R426A R401A/R401B R409A/R409B											
G	Power supply																							T	F	LV	Blank	E ^{b)}	Semi-direct or direct intake	Y ^{a)} b)	X ^{a)}	U ^{a)}	18 21 26 34	ST = LBP tropical (service)	R426A R401A/R401B R409A/R409B	
	1 phase																																			3 phase
G	Power supply		T	F	LV	Blank	E ^{b)}	Semi-direct or direct intake	Y ^{a)} b)	X ^{a)}	U ^{a)}			18 21 26 34	ST = LBP tropical (service)									R426A R401A/R401B R409A/R409B												
	S	T																																		

Blank = Standard
E = Energy-optimized
S = Semi-direct intake
Y = High energy-optimized
X = High energy-optimized
U = High energy-optimized

a) = Run capacitor compulsory
b) = Run capacitor optional

Danfoss A/S • Nordborgvej 81 . 6430 Nordborg . Denmark
 Tel: +45 7488 2222 • www.compressors.danfoss.com

1/2

DEHC.EI.050.A3.02, 05-2011

Key to Direct Current-Compressor Type Designation

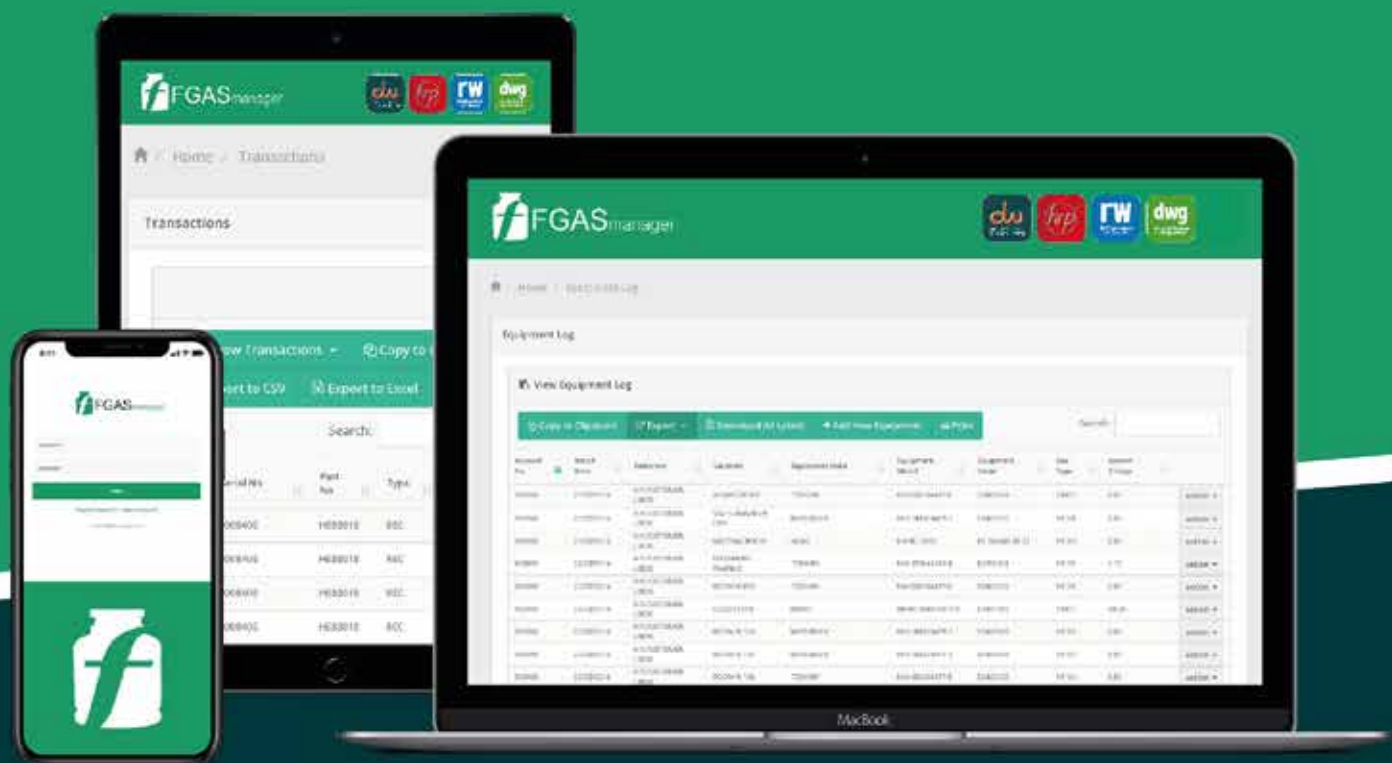
1 Compressor design	2 Protector location					3 Optimization level					4 Compressor size		5 Application range		6 Refrigerant	Code letter for starting characteristics	7 Generation
	Internal		External			Standard > High					Capacity at rating point	Displacement	Application range	Refrigerant			
	PTC LST	Relay HST	PTC	Relay	Variable speed												
BD P/T-Housing	Blank	Blank	Blank	Blank	Blank	Blank	Blank	Blank	Blank	Blank	Blank	35 50 150 250 350	1.4	CN = LBP	R290	Blank > universal (principal rule)	Blank > first generation
BD Micro														CL = LBP	R404A/R507		
	Blank	Blank	Blank	Blank	Blank	Blank	Blank	Blank	Blank	Blank	Blank	Blank	Blank	F = LBP/(MBP)	R134a	Blank > universal (principal rule)	Blank > first generation
														GH = HBP	R134a		
	Blank	Blank	Blank	Blank	Blank	Blank	Blank	Blank	Blank	Blank	Blank	Blank	Blank	K = LBP/(MBP)	R600a	Blank > universal (principal rule)	Blank > first generation



FGASmanager

Register for
FREE at:
fgasmanager.com

Control Your Compliance With FGASmanager



a BEUER REF company

FGASmanager is a website and app developed for the comprehensive management of all your F-Gas requirements.

Available now from DW
www.dw-ref.com

cubigel[®]
compressors



Cubigel Reciprocating Compressors

Huayi Compressor Barcelona specializes in designing, manufacturing and selling hermetic compressors and condensing units for the light commercial refrigeration market. Operating under Cubigel Compressors® and located in Barcelona, the company exports more than 90% of its production and employs more than 400 people. The company focuses on product innovation strategy with a strong R&D team, enhanced know-how and more than 50 years of experience in providing a broad range of solutions to the commercial refrigeration industry. Cubigel Compressors® offers a wide range of compressors covering from 2.4cc up to 34cc working with most refrigerant gases, voltages and for any type of application.

Cubigel Compressors



PART NUMBER	COMPRESSOR MODEL NUMBER	APPLICATION	NOMINAL HP	DISPLACEMENT	POWER SUPPLY	LRA	COOLING TYPE	EXPANSION DEVICE	OIL TYPE *	OIL CHARGE cc	CONNECTION TYPE	DISCHARGE SIZE mm	SUCTION SIZE mm	WEIGHT (KG)	HEIGHT (MM)	CAPACITY HBP -5c	CAPACITY HBP -25c
R134a																	
GP14TB	GP14TB	HBP	3/8	14.17	220-240V 50Hz ~1	18	F	C-V	ISO	400 cm ³	Tubed	6.5	8.1	11.29	217	855.968	-
GP16TB	GP16TB	HBP	3/8	16.15	220-240V 50Hz ~1	20	F	C-V	ISO	400 cm ³	Tubed	6.5	8.1	11.93	217	1021.114	-
GL45TB	GL45TB	H/MBP	1/6	4.56	220-240V 50Hz ~1	6,50	F	C-V	ISO	260 cm ³	Tubed	4.9	6.5	8.04	181.5	296.565	-
GL60TB	GL60TB	H/MBP	1/5	5.68	220-240V 50Hz ~1	8.3	F	C-V	ISO	260 cm ³	Tubed	4.9	6.5	8.65	181.5	368.671	-
GL80TB	GL80TB	H/MBP	1/5	7.57	220-240V 50Hz ~1	9.8	F	C-V	ISO	295 cm ³	Tubed	4.9	6.5	9.19	192.1	474.504	-
GL90TB	GL90TB	H/MBP	1/4	8.85	220-240V 50Hz ~1	12	F	C-V	ISO	295 cm ³	Tubed	4.9	6.5	9.66	192.1	564.055	-
GS26TB-T	GS26TB-T	H/MBP	3/4	25.93	220-240V 50Hz ~1	32	F	C-V	ISO	887 cm ³	Tubed	8	9.7	22.70	271	1764.271	-
GS34TB-T	GS34TB-T	H/MBP	1	34.42	220-240V 50Hz ~1	37	F	C-V	ISO	887 cm ³	Tubed	8	9.7	21.37	282	2503.939	-
GX18TB	GX18TB	H/MBP	1/2	18.40	220-240V 50Hz ~1	24	F	C-V	ISO	500 cm ³	Tubed	6.5	8.1	15.44	224	1181.608	-
GX21TB	GX21TB	H/MBP	5/8	20.72	220-240V 50Hz ~1	26	F	C-V	ISO	500 cm ³	Tubed	6.5	9.7	16.13	230	1322.331	-
GX23TB	GX23TB	H/MBP	5/8	23.20	220-240V 50Hz ~1	26	F	C-V	ISO	500 cm ³	Tubed	6.5	9.7	16.33	230	1322.331	-
GL60AAa	GL60AAa	LBP	1/6	5.98	220-240V 50Hz ~1	9	S	C	ISO	205 cm ³	Tubed	4.9	6.5	8.45	181.5	-	147.701
GL80AAa	GL80AAa	LBP	1/5	8.10	220-240V 50Hz ~1	11.5	S	C	ISO	290 cm ³	Tubed	4.9	6.5	8.98	192.1	-	196.547
GL90AAa	GL90AAa	LBP	1/4	9.09	220-240V 50Hz ~1	12.8	S	C	ISO	345 cm ³	Tubed	4.9	6.5	9.39	192.1	-	219.807
R404A																	
MPT14RA	MPT14RA	HBP	1/2	14.32	220-240V 50Hz ~1	21	F	C-V	ISO	400 cm ³	Tubed	6.5	8.1	12.25	217	1663.09	-
MS34TB-T	MS34TB-T	HBP	1.625	34.42	220-240V 50Hz ~1	41	F	C-V	ISO	887 cm ³	Tubed	8	9.7	22.21	282	4135.628	-
ML45TB	ML45TB	H/MBP	1/5	4.56	220-240V 50Hz ~1	9.7	F	C-V	ISO	295 cm ³	Tubed	4.9	6.5	9.10	192.1	521.024	-
ML60TB	ML60TB	H/MBP	1/4	5.68	220-240V 50Hz ~1	10.6	F	C-V	ISO	295 cm ³	Tubed	4.9	6.5	9.29	192.1	629.183	-
ML80TB	ML80TB	H/MBP	3/8	7.57	220-240V 50Hz ~1	12.8	F	C-V	ISO	395 cm ³	Tubed	4.9	6.5	9.68	204.5	871.087	-
ML90TB	ML90TB	H/MBP	3/8	8.85	220-240V 50Hz ~1	16	F	C-V	ISO	395 cm ³	Tubed	4.9	6.5	12.31	204.5	1025.766	-
MS26TB-T	MS26TB-T	H/MBP	1.375	25.93	220-240V 50Hz ~1	38	F	C-V	ISO	887 cm ³	Tubed	8	9.7	22.12	282	3105.21	-
MX18TBa	MX18TBa	H/MBP	7/8	18.40	220-240V 50Hz ~1	34.5	F	C-V	ISO	500 cm ³	Tubed	8	9.7	16.33	230	2075.955	-
MX21TBa	MX21TBa	H/MBP	1	20.72	220-240V 50Hz ~1	37	F	C-V	ISO	500 cm ³	Tubed	6.5	9.7	16.52	230	2331.815	-
ML90FB	ML90FB	LBP	1/3	8.85	220-240V 50Hz ~1	13	F	C-V	ISO	345 cm ³	Tubed	4.9	6.5	9.59	192.1	-	447.755
MP14FB	MP14FB	LBP	1/2	14.17	220-240V 50Hz ~1	17.5	F	C-V	ISO	400 cm ³	Tubed	6.5	8.1	12.07	217	-	661.747
MS26FB-T	MS26FB-T	LBP	3/4	25.93	220-240V 50Hz ~1	31.5	F	C-V	ISO	887 cm ³	Tubed	8	9.7	21.63	282	-	1325.82
MS34FB-T	MS34FB-T	LBP	1	34.42	220-240V 50Hz ~1	39	F	C-V	ISO	887 cm ³	Tubed	8	9.7	22.13	282	-	1729.381
MX23FBa	MX23FBa	LBP	7/8	23.20	220-240V 50Hz ~1	30	F	C-V	ISO	650 cm ³	Tubed	6.5	9.7	21.63	230	-	1111.828

Expansion Device:

C = Capillary
 TEV = Expansion Device
 C/TEV = Capillary or Expansion Device

Connection Types:

CT = All Copper Tubes
 RCT = Rotolock Suction Valve, Rest Copper Tubes
 R = Rotolock/Valve Only

Cooling Type

F = Fan
 SC = Suction Cooled
 ST = Static Cooling

* Oil Type: ISO VG 32 ESTER

Compressor Models



L Range



P Range



S Range



X Range



If you can't find the exact model you need please contact your local branch. Details on reverse.

Compressor Model Nomenclature

model

G L Y 6 0 R A a

G L Y 6 0 R A a

Indicates refrigerant.

G = R134a **N** = R290
M = R404A/R507 **H** = R600a

Indicates compressor range (overall design).

D = 2.4 - 4.0cm³ **L** = 4.0 - 10.7cm³ **X** = 16.0 - 23.0cm³
U = 5.5 - 10.6cm³ **P** = 12.0 - 18.0cm³ **S** = 18.0 - 34.0cm³

Indicates energy efficiency level. Not appearing in case of Standard efficiency.

M = Medium
Y = High Efficiency - Run Capacitor Optional RSIR/RSCR or CSIR/CSR
T = Top Efficiency - Run Capacitor RSCR or CSR

Indicates approximate compressor displacement under the following rule:

D / U / L ranges 10 times the approx. displacement in cm³/rev (GL90TB -> approx 9 cm³/rev)
P / X / S ranges The approx. displacement in cm³/rev (MX21TG -> approx 21 cm³/rev)

Indicates the starting torque, application type and compressor cooling:

A = LBP - LST - S	G = LBP - LST - S (RSCR only)	T = HMBP - HST - FAN
B = LBP - LST - OC	L = LBP - HST - Fan (Current Relay)	(CSR versions with Potential Relay)
C = LBP - LST - FAN	M = HMBP - LST/HST - S/FAN	U = AC - LST/HST - FAN
D = LBP - HST - S	N = MBP - LST/HST - S/FAN	Y = VHBP - HST - Fan
E = LBP - HST - OC	P = HMBP - LST - FAN	
F = LBP - HST -FAN	R = HMBP - HST - FAN	
	(CSR versions with Current Relay)	

Indicates the rated voltage:

A = 220-240V 50Hz	G = 200-220V 50Hz/220-230V 60Hz	T = 200-220V 50Hz
B = 220-240V 50Hz (old ranges)	J = 100V 50/60Hz	U = 208-230V 60Hz
C = 100V 50/60Hz (old ranges)	M = 115-127V 60Hz	3 = 3 phase 400-440V 50/60Hz
D = 115V 60Hz	L/N = 200-220V 50Hz or 200-240V 50Hz	
E = 115V 60Hz (old ranges)	220-230V 60Hz (50°C)	
F = 208-230V 60Hz (old ranges)	R = 115-127V 60Hz (old ranges)	

Indicates a variant of the model that only affects the configuration of electrical components. Its meaning may vary from model to model. It does not appear on the compressor label but it is used for ordering, invoicing and HCB internal processes.

Examples:

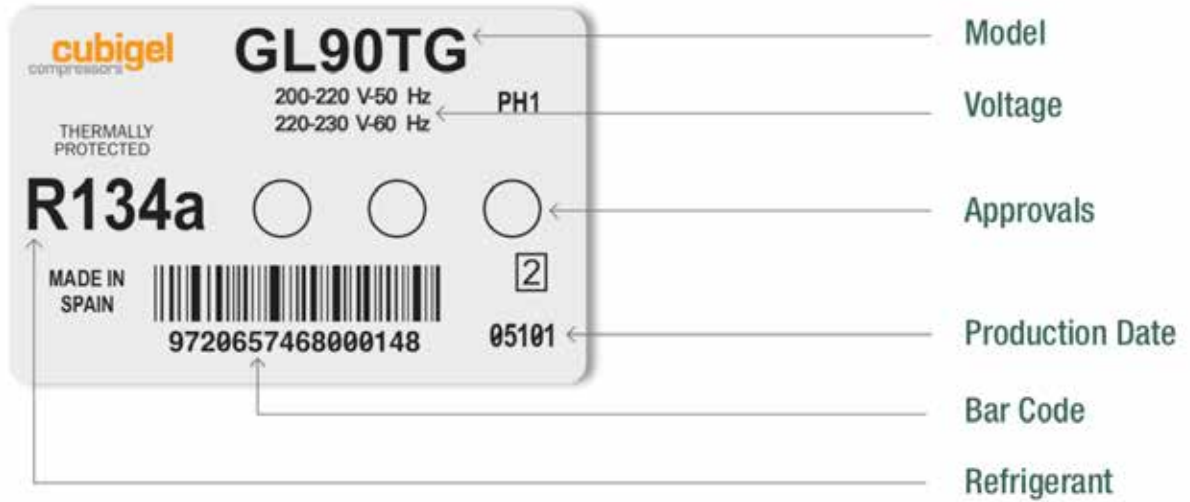
1. In high-efficiency compressors ("Y" series, i.e.: GPY12LA or MLY80RD), the letters "a" or "b" may indicate the type of electrical connection corresponding to the electrical accessories supplied with the compressor.

a = no use of running capacitor
b = use of running capacitor

2. In HMBP models of D range, R134a refrigerant (i.e.: GD30MB or GD40MB) it indicates the electrical accessories corresponding to the following situations:

a = static cooling and without starting capacitor
b = fan cooling and without starting capacitor
c = static cooling and with starting capacitor
d = fan cooling and with starting capacitor

Identification Labels and Approvals



MLaneurop[®]

Reciprocating Compressors

Danfoss

**ENGINEERING
TOMORROW**



Danfoss Maneurop Reciprocating Compressors

Reciprocating compressors for refrigeration applications in medium and high temperatures with refrigerants R407A, R407C, R407F, R134a and R404A/R507A. Danfoss reciprocating compressors are suitable for parallel mounting (racks).

MTZ: medium and high evaporating temperature (R407A, R407C, R407F, R134a, R404A/R507A).

NTZ: low evaporating temperature extended envelope (R452A, R404A/R507A).

Maneurop[®]
Reciprocating Compressors

Maneurop Compressors

PART NUMBER	COMPRESSOR MODEL NUMBER	APPLICATION	NOMINAL HP	DISPLACEMENT	POWER SUPPLY	LRA	COOLING TYPE	EXPANSION DEVICE	OIL TYPE	OIL CHARGE cc	CONNECTION TYPE	DISCHARGE SIZE mm	SUCTION SIZE mm	WEIGHT (KG)	HEIGHT (MM)	NOMINAL CAPACITY -5c	NOMINAL CAPACITY -25c
R134a; R404A; R407A; R407C; R407F; R507A; R448A; R449A; R452A; R513A																	
400150	MTZ18-5VI	H/MBP/AC	1.1/2	30.23cm ³	230/50/1	40 A	SC	TEV	175PZ	950 cm ³	R	1 in	1 in	22.00	333	2723	-
400151	MTZ18-4VI	H/MBP/AC	1.1/2	30.23cm ³	440/50-60/3	20 A	SC	TEV	175PZ	950 cm ³	R	1 in	1 in	22.00	333	2723	-
400152	MTZ22-5VI	H/MBP/AC	1.7/8	38.12cm ³	230/50/1	41 A	SC	TEV	175PZ	950 cm ³	R	1 in	1 in	23.00	333	3695	-
400153	MTZ22-4VI	H/MBP/AC	1.7/8	38.12cm ³	440/50-60/3	20 A	SC	TEV	175PZ	950 cm ³	R	1 in	1 in	23.00	333	3695	-
400154	MTZ28-5VI	H/MBP/AC	2.1/3	48.06cm ³	230/50/1	51 A	SC	TEV	175PZ	950 cm ³	R	1 in	1 in	23.00	333	4561	-
400155	MTZ28-4VI	H/MBP/AC	2.1/3	48.06cm ³	440/50-60/3	29 A	SC	TEV	175PZ	950 cm ³	R	1 in	1 in	23.00	333	4561	-
400156	MTZ32-5VI	H/MBP/AC	2.2/3	53.86cm ³	230/50/1	70 A	SC	TEV	175PZ	950 cm ³	R	1 in	1 1/4 in	25.00	356	5236	-
400157	MTZ32-4VI	H/MBP/AC	2.2/3	53.86cm ³	440/50-60/3	25 A	SC	TEV	175PZ	950 cm ³	R	1 in	1 1/4 in	25.00	356	5236	-
400158	MTZ36-5VI	H/MBP/AC	3/1	60.47cm ³	230/50/1	60 A	SC	TEV	175PZ	950 cm ³	R	1 in	1 1/4 in	26.00	356	6083	-
400159	MTZ36-4VI	H/MBP/AC	3/1	60.47cm ³	440/50-60/3	38 A	SC	TEV	175PZ	950 cm ³	R	1 in	1 1/4 in	26.00	356	6083	-
400160	MTZ40-4VI	H/MBP/AC	3.1/3	67.89cm ³	440/50-60/3	38 A	SC	TEV	175PZ	950 cm ³	R	1 in	1 1/4 in	24.30	356	6992	-
400161	MTZ44-4VI	H/MBP/AC	3.2/3	76.22cm ³	440/50-60/3	47 A	SC	TEV	175PZ	1800 cm ³	R	1 1/4 in	1 3/4 in	36.00	413	7313	-
400162	MTZ50-4VI	H/MBP/AC	4.1/8	85.64cm ³	440/50-60/3	47 A	SC	TEV	175PZ	1800 cm ³	R	1 1/4 in	1 3/4 in	33.30	413	8337	-
400163	MTZ56-4VI	H/MBP/AC	4.2/3	96.13cm ³	440/50-60/3	64 A	SC	TEV	175PZ	1800 cm ³	R	1 1/4 in	1 3/4 in	38.00	413	9266	-
400164	MTZ64-4VI	H/MBP/AC	5.1/3	107.71cm ³	440/50-60/3	64 A	SC	TEV	175PZ	1800 cm ³	R	1 1/4 in	1 3/4 in	39.00	413	10620	-
400165	MTZ72-4VI	H/MBP/AC	6/1	120.94cm ³	440/50-60/3	80 A	SC	TEV	175PZ	1800 cm ³	R	1 1/4 in	1 3/4 in	42.00	413	12230	-
400166	MTZ80-4VI	H/MBP/AC	6.2/3	135.78cm ³	440/50-60/3	80 A	SC	TEV	175PZ	1800 cm ³	R	1 1/4 in	1 3/4 in	42.00	413	14250	-
400167	MTZ100-4VI	H/MBP/AC	8.1/3	171.26cm ³	440/50-60/3	90 A	SC	TEV	175PZ	3900 cm ³	R	1 1/4 in	1 3/4 in	63.00	519	16460	-
400168	MTZ125-4VI	H/MBP/AC	10/1	215.44cm ³	440/50-60/3	105 A	SC	TEV	175PZ	3900 cm ³	R	1 1/4 in	1 3/4 in	67.00	519	22150	-
400169	MTZ144-4VI	H/MBP/AC	12/1	241.87cm ³	440/50-60/3	130 A	SC	TEV	175PZ	3900 cm ³	R	1 1/4 in	1 3/4 in	69.00	540	24860	-
400170	MTZ160-4VI	H/MBP/AC		271.55cm ³	440/50-60/3	130 A	SC	TEV	175PZ	3900 cm ³	R	1 1/4 in	1 3/4 in	71.00	540	28500	-

Expansion Device:
C = Capillary
TEV = Expansion Device
C/TEV = Capillary or Expansion Device

Connection Types:
CT = All Copper Tubes
RCT = Rotolock Suction Valve, Rest Copper Tubes
R = Rotolock/Valve Only

Cooling Type
F = Fan
SC = Suction Cooled
ST = Static Cooling

Compressor Models



MTZ 4 Cylinder



MTZ 2 Cylinder



MTZ 1CYL

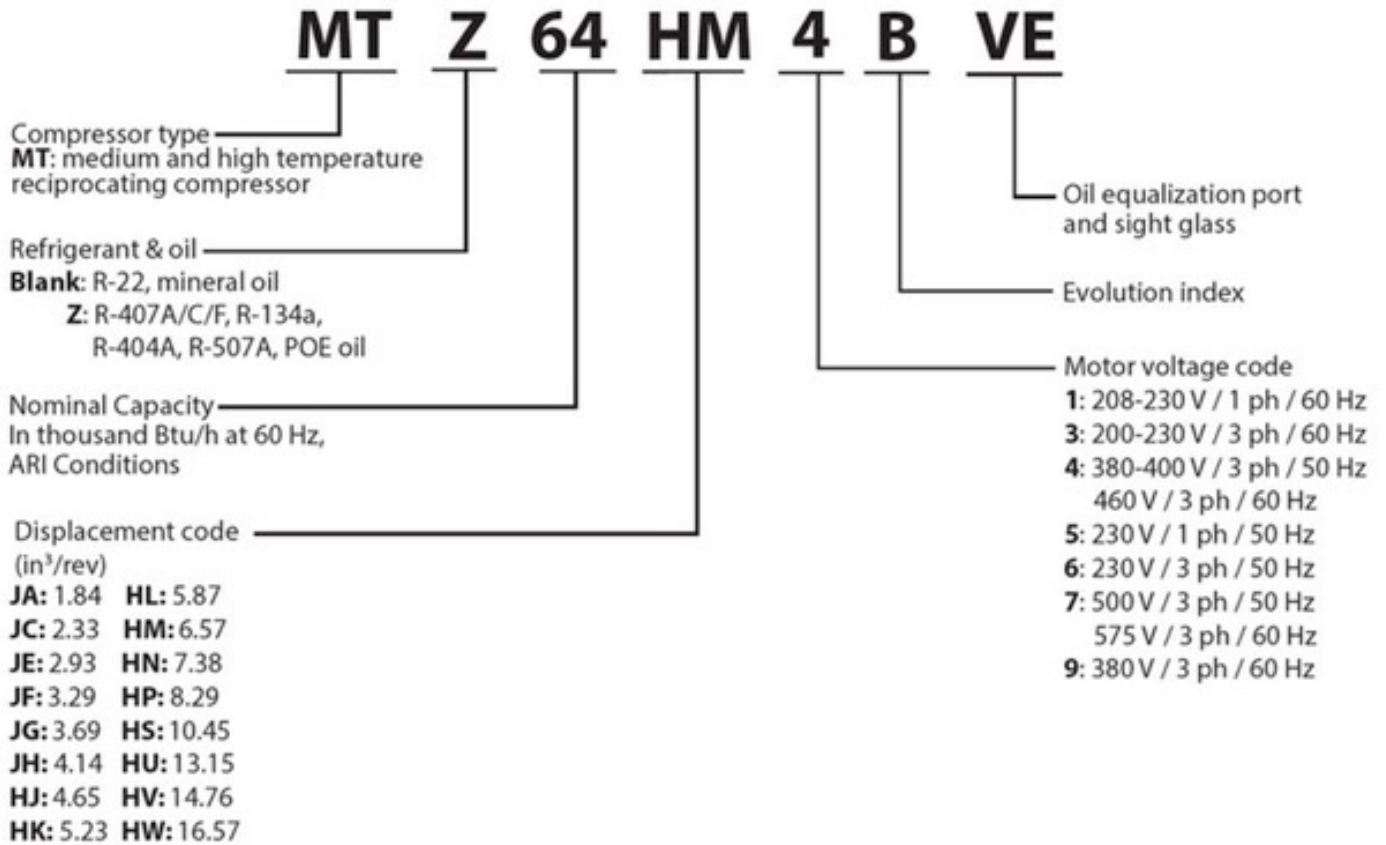
If you can't find the exact model you need please contact your local branch. Details on reverse.



Compressor Model Nomenclature

Nomenclature/Model No. | MT/MTZ - Medium/High Temperature Reciprocating Compressors

Nomenclature / Model No.



Notes

A series of horizontal dotted lines for writing notes.

Belfast

54 Boucher Place, Belfast,
BT12 6HT

☎ 0289 066 4935

✉ belfastbranch@dw-ref.com

Birmingham

1 Parkway Ind Centre, Heneage Street,
B7 4LY

☎ 0121 359 4404

✉ birminghambranch@dw-ref.com

Bristol

1 Camwal Road, St Philips,
BS2 0UZ

☎ 0117 971 741 3

✉ bristolbranch@dw-ref.com

Cambridge

18 Clifton Road Ind Estate, Cambridge,
CB1 7EB

☎ 01223 416 69 5

✉ cambridgebranch@dw-ref.com

Canning Town

Europa Trade Park, Cody Road,
London, E16 4SP

☎ 020 7474 369 0

✉ canningtown@dw-ref.com

Edinburgh

Unit 2a, R6 Industrial Estate, Queen Anne
Drive, Newbridge, Edinburgh, EH28 8LH

☎ 01506 855 30 6

✉ edinburghbranch@dw-ref.com

Glasgow

Moor Park Industrial Estate, Govan,
G51 2BQ

☎ 0141 425 151 5

✉ glasgowbranch@dw-ref.com

Leatherhead

Imperial Park, Randalls Way,
Leatherhead, KT22 7T A

☎ 0137 238 922 0

✉ leatherheadbranch@dw-ref.com

Leeds

Unit F2, Copley Hill Industrial Estate,
Whitehall Road, Leeds, LS12 1H E

☎ 0113 201 280 0

✉ leedsbranch@dw-ref.com

London Greenford

Unit 25, SEGRO Park Greenford Central,
Derby Road, Greenford, UB6 8U J

☎ 020 8833 7157

✉ greenfordbranch@dw-ref.com

Manchester

9 Premier Park, Acheson Way, Trafford Park,
M17 1GA

☎ 0161 855 379 0

✉ manchesterbranch@dw-ref.com

Newcastle

17-23 Invincible Drive, Scotswood,
NE4 7HX

☎ 0191 272 0434

✉ newcastlebranch@dw-ref.com

Norwich

6 Hellesdon Hall Ind Park, Drayton High Road,
NR6 5DR

☎ 01603 788 960

✉ norwichbranch@dw-ref.com

Nottingham

2 Ashville Close, Queens Drive Ind Est,
Nottingham, NG2 1L L

☎ 0115 946 367 8

✉ nottinghambranch@dw-ref.com

Preston

169 Walton Summit Road, Preston,
PR5 8AQ

☎ 01772 629 34 6

✉ prestonbranch@dw-ref.com

Southampton

8 Woodside Road, Eastleigh, Hampshire,
SO50 4ET

☎ 0238 065 307 8

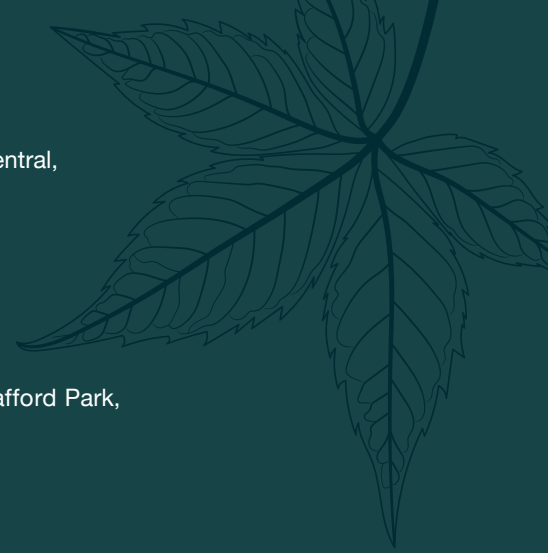
✉ southamptonbranch@dw-ref.com

Stockton Express

Lustrum Trade Park, Stockton on Tees,
TS18 2QQ

☎ 01642 673 149

✉ stocktonbranch@dw-ref.com



your natural choice

dw

www.dw-ref.com